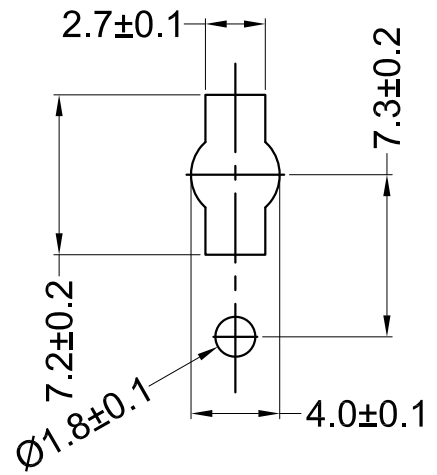


Mounting Hole Detail



Panel Thickness:0.8-1.6mm.

Notes:RoHS Compliant;

PartNo.	Part Name	Material	Color	Panel Thickness
60783	GWSLT-9-01-2-01	PA66 UL94V2	Natural	0.8-1.6mm
60779	GWSLT-9-01-2-19	PA66 UL94V0		

Gecko International Co.

Gecko International Co.						DATE	2015-3-26	DIMENSION	TOLERANCE
TITLE	WIRE SADDLE, LOCKING TOP					SCALE	FIT	$L \leq 4$	± 0.10
PART NAME	GWSLT-9	MOLD NO.	S0833	DRAW	JF	UNIT	MM	$4 < L \leq 15$	± 0.20
PART NO.	SEE TABLE	MATERIAL	SEE TABLE	DESIGN	JF	VERSION	A0	$15 < L \leq 50$	± 0.30
DWG NO.	E6238	COLOR	SEE TABLE	APPROVAL	FDL	VIEW		$50 < L \leq 100$	± 0.40