

Fig. 1

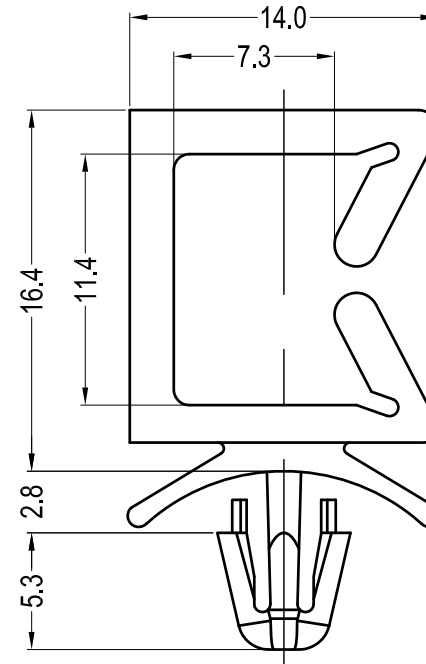
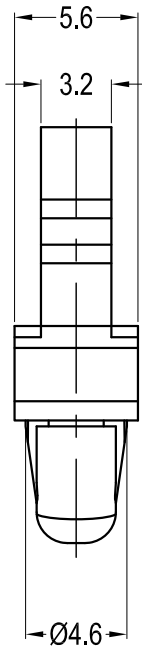
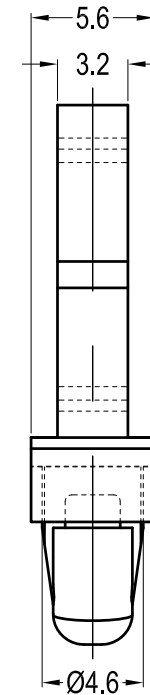


Fig. 2



| Part No. | Part Name      | Material    | Hole      | Panel Thickness | Color   | Fig. |
|----------|----------------|-------------|-----------|-----------------|---------|------|
| 60614    | GWS-SE-A-1-01  | PA66 UL94V2 | Ø4.8±0.08 | 1.6             | Natural | 1    |
| 60962    | GWS-SE-A-2-01  |             |           |                 |         | 2    |
| 61040    | GWS-SE-A-1-19  | PA66 UL94V0 |           |                 |         | 1    |
| 60963    | GWS-SE-A-2-19  |             |           |                 |         | 2    |
| 60996    | GWS-SE-A-1-01B | PA66 UL94V2 |           |                 | Black   | 1    |
| 61093    | GWS-SE-A-2-01B |             |           |                 |         | 2    |
| 61041    | GWS-SE-A-1-19B | PA66 UL94V0 |           |                 |         | 1    |
| 61094    | GWS-SE-A-2-19B |             |           |                 |         | 2    |

Notes: RoHS Compliant;

| Gecko International Co. |                        |          |           |          |     | DATE    | 2013-6-4 | DIMENSION    | TOLERANCE |
|-------------------------|------------------------|----------|-----------|----------|-----|---------|----------|--------------|-----------|
| TITLE                   | WIRE SADDLE SIDE ENTRY |          |           |          |     | SCALE   | FIT      | L ≤ 4        | ±0.10     |
| PART NAME               | GWS-SE-A               | MOLD NO. | S0719/962 | DRAW     | JF  | UNIT    | MM       | 4 < L ≤ 15   | ±0.20     |
| PART NO.                | SEE TABLE              | MATERIAL | SEE TABLE | DESIGN   | JF  | VERSION | A0       | 15 < L ≤ 50  | ±0.30     |
| DWG NO.                 | E6195                  | COLOR    | SEE TABLE | APPROVAL | FDL | VIEW    |          | 50 < L ≤ 100 | ±0.40     |