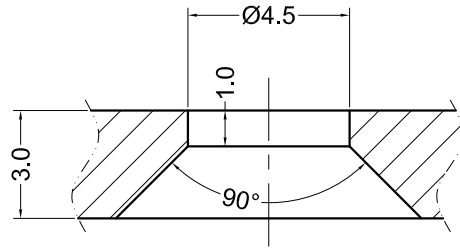
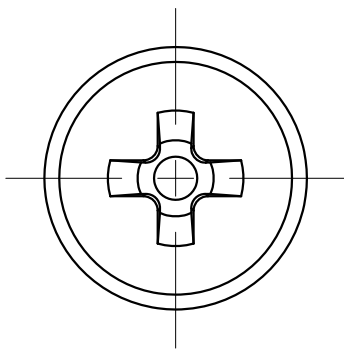
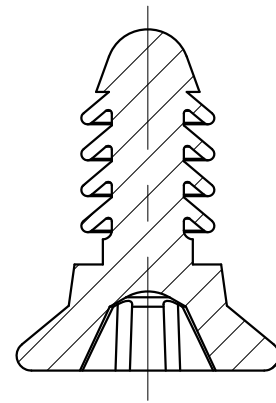
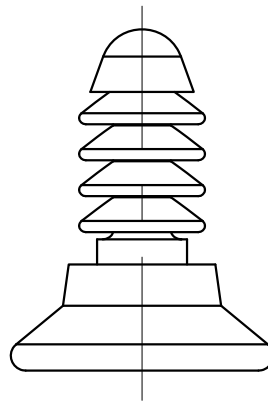
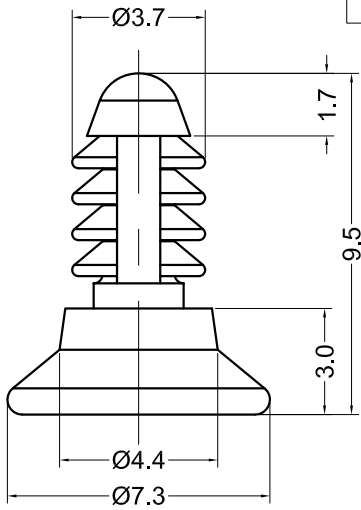


Assembly Part



RECOMMENDED MOUNTING  
SCREW THREAD HOLE



Notes:

1. Material: PA66 UL94V2;
2. RoHS Compliant;
3. Hole: Threaded Hole;
4. Patent;

**Gecko International Co.**

Gecko International Co.						DATE	2020-9-14	DIMENSION	TOLERANCE
TITLE	PUSH SCREW					SCALE	FIT	L ≤ 4	±0.10
ARTICLE NO.	GTS-M4-6.5 / GTS-M4-6.5N	MOLD NO.	S1037	DRAW	JF	UNIT	MM	4 < L ≤ 15	±0.20
PART NO.	50483 / 50543	MATERIAL	PA66 UL94V2	DESIGN	JF	VERSION	A0	15 < L ≤ 50	±0.30
DWG NO.	E5052	COLOR	BLACK / NATURAL	APPROVAL	FDL	VIEW		50 < L ≤ 100	±0.40