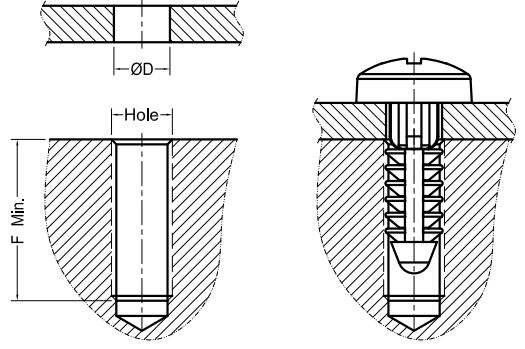


RECOMMENDED MOUNTING SCREW THREAD HOLE

Fig. 1



RECOMMENDED MOUNTING SCREW THREAD HOLE

Fig. 2 and Fig. 3

- Notes:
1. Material: PA66 UL94V2;
 2. RoHS Compliant;
 3. Hole: Threaded Hole;
 4. Patent.

Part No.	Article No.	Part No.	Article No.	A Ø max.	B max.	C	L	D	F	Barb Qty.	Push in force MAX.	Pull out force MIN.	Hole	Fig.
50682	GTS1-M3-8	50685	GTS1-M3-8N				8.0		8.0					
50683	GTS1-M3-10	50686	GTS1-M3-10N	5.5	1.85	2.8	10.0	3.5	10.0	4	30N	50N	Threaded M3	
50684	GTS1-M3-12	50687	GTS1-M3-12N				12.0		12.0					
50689	GTS1-M3-14	50691	GTS1-M3-14N				14.0		14.0					
50689	GTS1-M4-10	50692	GTS1-M4-10N				10.0		10.0		35N	90N		
50690	GTS1-M4-12	50693	GTS1-M4-12N				12.0		12.0					
50674	GTS1-M4-14	50678	GTS1-M4-14N	6.4	2.7	3.7	14.0	4.5	14.0	6	40N	120N	Threaded M4	
50835	GTS1-M4-16	50836	GTS1-M4-16N				16.0		16.0					
50892	GTS1-M4-20	50893	GTS1-M4-20N				20.0		20.0					
50694	GTS1-M5-12	50696	GTS1-M5-12N				12.0		12.0		35N	100N		
50894	GTS1-M5-14	50895	GTS1-M5-14N	9.3	2.7	4.7	14.0	5.5	14.0	4	35N	100N	Threaded M5	1
50839	GTS1-M5-16	50840	GTS1-M5-16N				16.0		16.0	6	45N	150N		
50841	GTS1-M5-20	50842	GTS1-M5-20N				20.0		20.0					
50896	GTS1-M6-14	50897	GTS1-M6-14N				14.0		14.0	4	35N	120N		
50845	GTS1-M6-16	50846	GTS1-M6-16N				16.0		16.0					
50847	GTS1-M6-20	50848	GTS1-M6-20N	11.3	3.3	5.7	20.0	6.5	20.0	6	45N	170N	Threaded M6	
50898	GTS1-M6-25	50899	GTS1-M6-25N				25.0		25.0					
50677	GTS1-M8-20	50681	GTS1-M8-20N				20.0		20.0	4	55N	180N		
50871	GTS1-M8-25	50872	GTS1-M8-25N	15.8	4.65	7.5	25.0	8.5	25.0					
50873	GTS1-M8-30	50874	GTS1-M8-30N				30.0		30.0	6	55N	210N	Threaded M8	
50900	GTS1-M8-35	50901	GTS1-M8-35N				35.0		35.0					
50719	GTS2-M3-6	50749	GTS2-M3-6N				6.0		8.0					
50720	GTS2-M3-8	50750	GTS2-M3-8N	5.6	2.4	2.8	8.0	3.5	10.0	4	30N	50N	Threaded M3	
50721	GTS2-M3-10	50751	GTS2-M3-10N				10.0		12.0					
50722	GTS2-M3-12	50752	GTS2-M3-12N				12.0		14.0					
50851	GTS2-M4-6	50852	GTS2-M4-6N				6.0		8.0		35N	90N		
50853	GTS2-M4-8	50854	GTS2-M4-8N				8.0		10.0					
50729	GTS2-M4-8.5	50753	GTS2-M4-8.5N				8.5		10.5					
50730	GTS2-M4-10	50754	GTS2-M4-10N	8.0	3.1	3.7	10.0	4.5	12.0	6	40N	120N	Threaded M4	
50731	GTS2-M4-12	50755	GTS2-M4-12N				12.0		14.0					
50732	GTS2-M4-14	50756	GTS2-M4-14N				14.0		16.0					
50855	GTS2-M4-16	50856	GTS2-M4-16N				16.0		18.0					
50737	GTS2-M5-9	50757	GTS2-M5-9N				9.0		11.0	4	35N	100N		
50857	GTS2-M5-10	50858	GTS2-M5-10N				10.0		12.0					
50738	GTS2-M5-12	50758	GTS2-M5-12N				12.0		14.0					
50739	GTS2-M5-15	50759	GTS2-M5-15N	9.5	3.7	4.7	15.0	5.5	17.0	6	45N	150N	Threaded M5	
50859	GTS2-M5-16	50860	GTS2-M5-16N				16.0		18.0					
50740	GTS2-M5-18	50760	GTS2-M5-18N				18.0		20.0					
50861	GTS2-M5-20	50862	GTS2-M5-20N				20.0		22.0					
50863	GTS2-M6-10	50864	GTS2-M6-10N				10.0		12.0	4	35N	120N		
50868	GTS2-M6-12	50885	GTS2-M6-12N				12.0		14.0					
50742	GTS2-M6-13.5	50762	GTS2-M6-13.5N				13.5		15.5					
50743	GTS2-M6-15	50763	GTS2-M6-15N	12.0	4.6	5.7	15.0	6.5	17.0	6	45N	170N	Threaded M6	
50865	GTS2-M6-16	50866	GTS2-M6-16N				16.0		18.0					
50744	GTS2-M6-18	50764	GTS2-M6-18N				18.0		20.0					
50867	GTS2-M6-20	50868	GTS2-M6-20N				20.0		22.0					
50869	GTS2-M6-25	50890	GTS2-M6-25N				25.0		27.0					
50869	GTS2-M8-12	50870	GTS2-M8-12N				12.0		14.0	4	55N	180N		
50746	GTS2-M8-16	50768	GTS2-M8-16N				16.0		18.0					
50747	GTS2-M8-18	50767	GTS2-M8-18N				18.0		20.0					
50748	GTS2-M8-20	50768	GTS2-M8-20N	16.0	6.0	7.5	20.0	8.5	22.0	6	55N	210N	Threaded M8	
50875	GTS2-M8-25	50876	GTS2-M8-25N				25.0		27.0					
50877	GTS2-M8-30	50878	GTS2-M8-30N				30.0		32.0					
50904	GTS2-M8-35	50905	GTS2-M8-35N				35.0		37.0					

Part No.	Article No.	Part No.	Article No.	A Ø max.	B max.	C	L	D	F	Barb Qty.	Push in force MAX.	Pull out force MIN.	Hole	Fig.
50769	GTS3-M3-8	50773	GTS3-M3-8N				6.0		8.0					
50770	GTS3-M3-8	50774	GTS3-M3-8N	5.6	2.4	2.8	8.0	3.5	10.0	4	30N	50N	Threaded M3	
50771	GTS3-M3-10	50775	GTS3-M3-10N				10.0		12.0					
50772	GTS3-M3-12	50776	GTS3-M3-12N				12.0		14.0					
50811	GTS3-M4-6	50812	GTS3-M4-6N				6.0		8.0		35N	90N		
50813	GTS3-M4-8	50814	GTS3-M4-8N				8.0		10.0					
50777	GTS3-M4-8.5	50781	GTS3-M4-8.5N				8.5		10.5					
50776	GTS3-M4-10	50782	GTS3-M4-10N	8.0	3.1	3.7	10.0	4.5	12.0	6	40N	120N	Threaded M4	
50779	GTS3-M4-12	50783	GTS3-M4-12N				12.0		14.0					
50780	GTS3-M4-14	50784	GTS3-M4-14N				14.0		16.0					
50815	GTS3-M4-16	50816	GTS3-M4-16N				16.0		18.0					
50785	GTS3-M5-9	50789	GTS3-M5-9N				9.0		11.0	4	35N	100N		
50817	GTS3-M5-10	50818	GTS3-M5-10N				10.0		12.0					
50816	GTS3-M5-12	50820	GTS3-M5-12N				12.0		14.0					
50787	GTS3-M5-15	50791	GTS3-M5-15N	8.5	3.7	4.7	15.0	5.5	17.0	6	45N	150N	Threaded M5	
50819	GTS3-M5-16	50820	GTS3-M5-16N				16.0		18.0					
50788	GTS3-M5-18	50792	GTS3-M5-18N				18.0		20.0					
50821	GTS3-M5-20	50822	GTS3-M5-20N				20.0		22.0					
50823	GTS3-M6-10	50824	GTS3-M6-10N				10.0		12.0	4	35N	120N		
50889	GTS3-M6-12	50886	GTS3-M6-12N				12.0		14.0					
50794	GTS3-M6-13.5	50798	GTS3-M6-13.5N				13.5		15.5					
50795	GTS3-M6-15	50799	GTS3-M6-15N	12.0	4.6	5.7	15.0	6.5	17.0	6	45N	170N	Threaded M6	
50825	GTS3-M6-16	50826	GTS3-M6-16N				16.0		18.0					
50796	GTS3-M6-18	50800	GTS3-M6-18N				18.0		20.0					
50827	GTS3-M6-20	50828	GTS3-M6-20N				20.0		22.0					
50906	GTS3-M6-25	50907	GTS3-M6-25N				25.0		27.0					
50829	GTS3-M8-12	50830	GTS3-M8-12N				12.0		14.0	4	55N	180N		
50802	GTS3-M8-16	50806	GTS3-M8-16N				16.0		18.0					
50803	GTS3-M8-18	50807	GTS3-M8-18N				18.0		20.0					
50804	GTS3-M8-20	50808	GTS3-M8-20N	16.0	6.0	7.5	20.0	8.5	22.0	6	55N	210N	Threaded M8	
50879	GTS3-M8-25	50880	GTS3-M8-25N				25.0		27.0					
50881	GTS3-M8-30	50882	GTS3-M8-30N				30.0		32.0					
50908	GTS3-M8-35	50909	GTS3-M8-35N				35.0		37.0					

Gecko International Co.					DATE	2023-9-4	DIMENSION	TOLERANCE
TITLE	PUSH SCREW				SCALE	FIT	L ≤ 4	±0.10
ARTICLE NO.	GTS-M-L	MOLD NO.	/	DRAW	PLK	UNIT	MM	4 < L ≤ 15
PART NO.	SEE TABLE	MATERIAL	SEE NOTES	DESIGN	PLK	VERSION	A0	15 < L ≤ 50
DWG NO.								