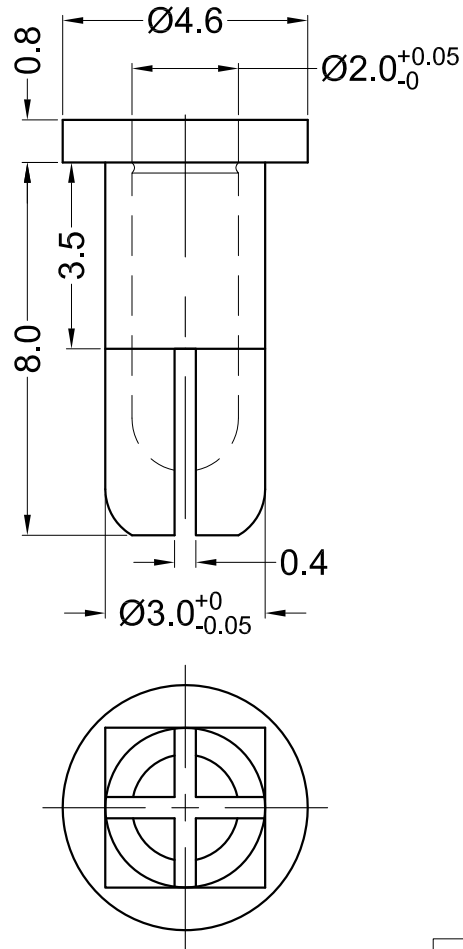
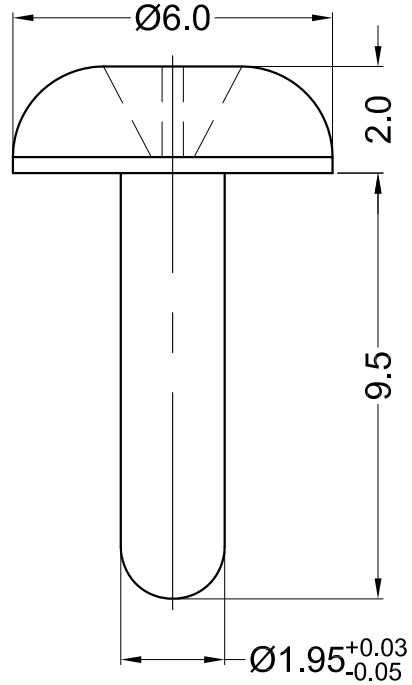


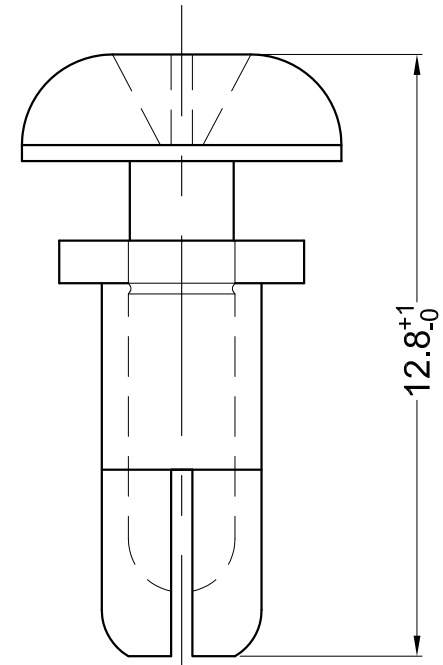
Body



Pin



Assembly Part



Notes:

1. Material: PA6 UL94 V2 (Body);
POM UL94 HB (Pin);
2. Color: Black;
3. RoHS Compliant;
4. Hole: $\text{Ø}3.1$ - 3.2 mm;
Panel Thickness: 5.5 - 6.5 mm;

Gecko International Co.						DATE	2012-6-6	DIMENSION		TOLERANCE	
TITLE	PUSH RIVET					SCALE	FIT	$L \leq 4$		± 0.10	
PART NAME	GTR3080B	MOLD NO.	S0078/163	DRAW	JF	UNIT	MM	$4 < L \leq 15$		± 0.20	
PART NO.	20264	MATERIAL	SEE NOTES	DESIGN	JF	VERSION	A0	$15 < L \leq 50$		± 0.30	
DWG NO.	E2050	COLOR	SEE NOTES	APPROVAL	FDL	VIEW		$50 < L \leq 100$		± 0.40	