

GSSRS4

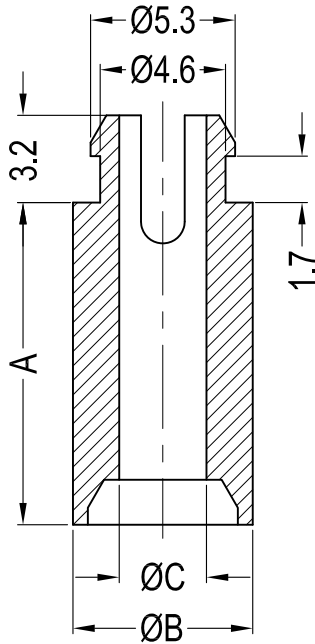
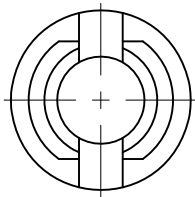


Fig. 1

GSSRS8

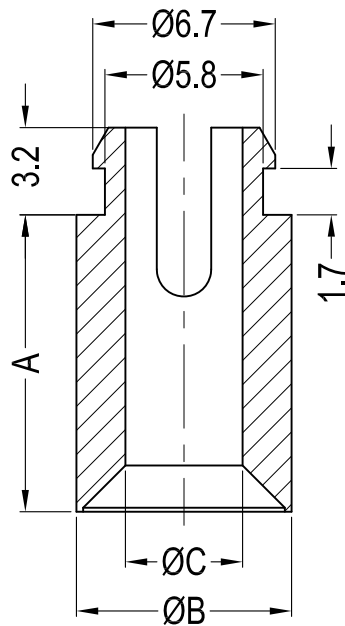
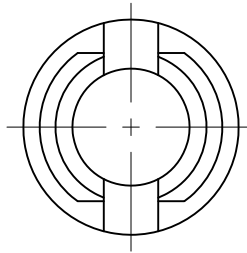


Fig. 2

GSSRS8-2-3

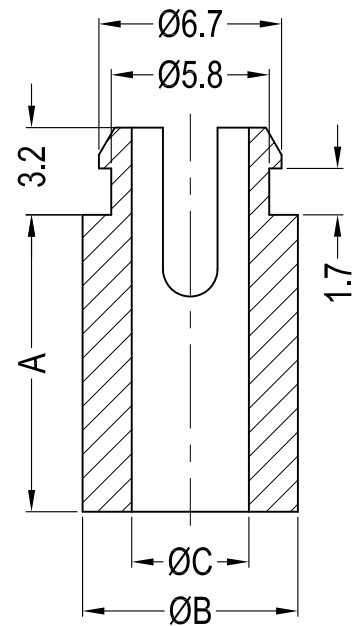
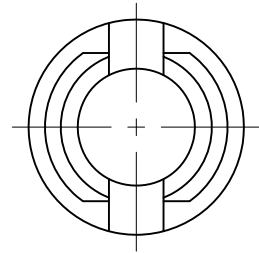


Fig. 3

Notes:
1. RoHS Compliant

Part No.	Part Name	Material	Color	A	B	C	Hole	Panel Thickness	Screw	Fig.								
42372	GSSRS4-2-01	PA66 UL94 V2	Natural	3.2	6.6	3.2	4.75±0.08	1.57	#4/M3	1								
42373	GSSRS4-3-01			4.8														
42374	GSSRS4-4-01			6.4														
42375	GSSRS4-5-01			7.9														
42376	GSSRS4-6-01			9.5														
42377	GSSRS4-7-01			11.1														
42378	GSSRS4-8-01			12.7														
42379	GSSRS4-10-01			15.9														
42380	GSSRS4-12-01			19.1														
42381	GSSRS4-14-01			22.2														
42382	GSSRS4-16-01			25.4														
40025	GSSRS8-4-01			PA66 UL94 V0							Natural	6.4	7.9	4.3	5.94±0.08	1.57	#8/M4	2
40026	GSSRS8-5-01											7.9						
40027	GSSRS8-6-01											9.5						
40028	GSSRS8-7-01											11.1						
40029	GSSRS8-8-01											12.7						
40030	GSSRS8-10-01	15.9																
42116	GSSRS8-12-01	19.1																
42118	GSSRS8-14-01	22.2																
42119	GSSRS8-16-01	25.4																
43594	GSSRS8-2-3-01	PA66 UL94 V0	Natural		4.8±0.1	7.9	4.3	5.94±0.08	1.57	#8/M4		3						
43587	GSSRS8-2-3-19																	

Gecko International Co.

DATE

2020-12-23

DIMENSION

TOLERANCE

TITLE

SELF-RETAINING SPACER

SCALE

FIT

L ≤ 4

±0.10

PART NAME

GSSRS4&GSSRS8

MOLD NO.

S0312

DRAW

PLK

UNIT

MM

4 < L ≤ 15

±0.20

PART NO.

SEE TABLE

MATERIAL

SEE TABLE

DESIGN

PLK

VERSION

A0

15 < L ≤ 50

±0.30

DWG NO.

E4262

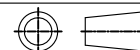
COLOR

SEE TABLE

APPROVAL

FDL

VIEW



50 < L ≤ 100

±0.40