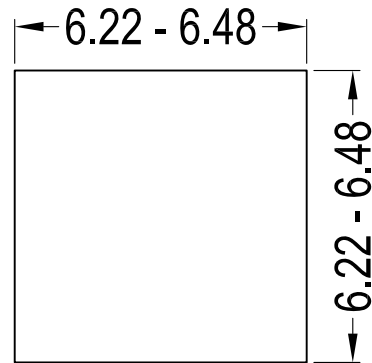
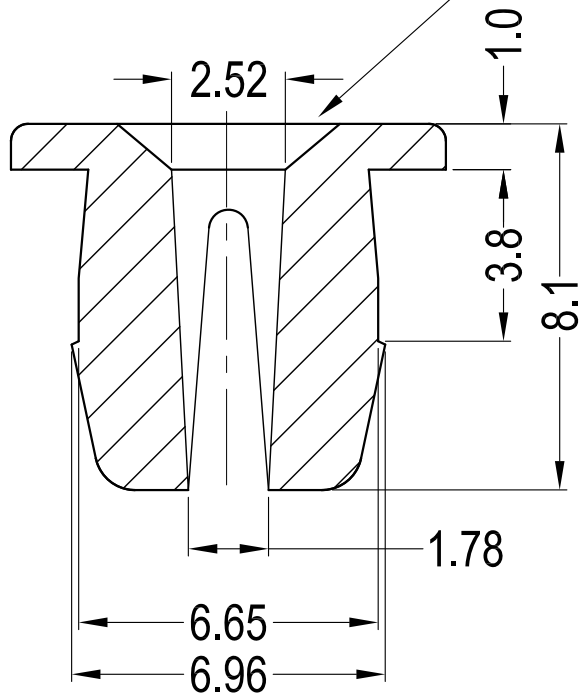
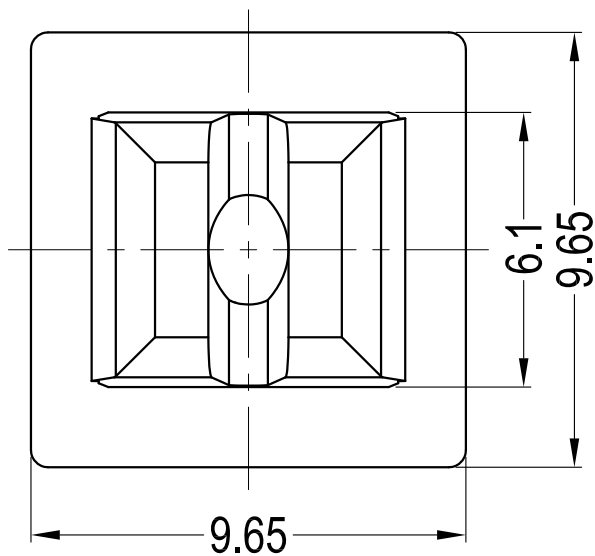


Top Hole: For 3.5mm
Self-Tapping Sheet Metal Screw



Mounting Hole: \square 6.22 - 6.48mm
Panel Thickness: 0.79 - 3.18mm



Notes:

1. Color: Natural;
2. RoHS Compliant;

Part No.	Article No.	Material
60422	GSRSG6-04-01	PA66 UL94 V2
60744	GSRSG6-04-19	PA66 UL94 V0

Gecko International Co.

Gecko International Co.						DATE	2021-12-15	DIMENSION	TOLERANCE
TITLE	SELF-RETAINING SCREW GROMMET					SCALE	FIT	$L \leq 4$	± 0.10
ARTICLE NO.	GSRSG6	MOLD NO.	S0593	DRAW	JF	UNIT	MM	$4 < L \leq 15$	± 0.20
PART NO.	SEE TABLE	MATERIAL	SEE TABLE	DESIGN	JF	VERSION	A0	$15 < L \leq 50$	± 0.30
DWG NO.	E6155	COLOR	SEE NOTES	APPROVAL	FDL	VIEW		$50 < L \leq 100$	± 0.40