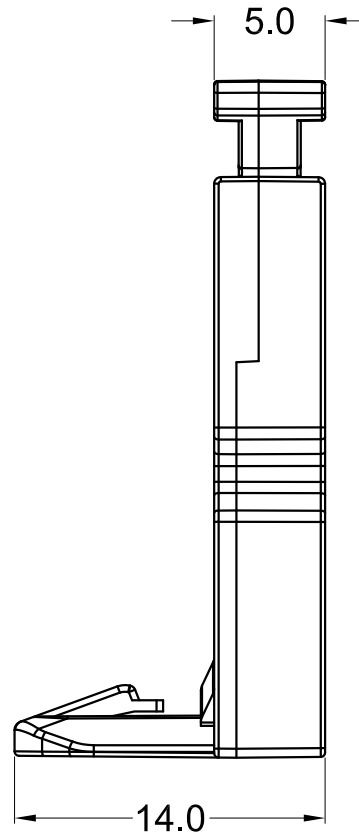
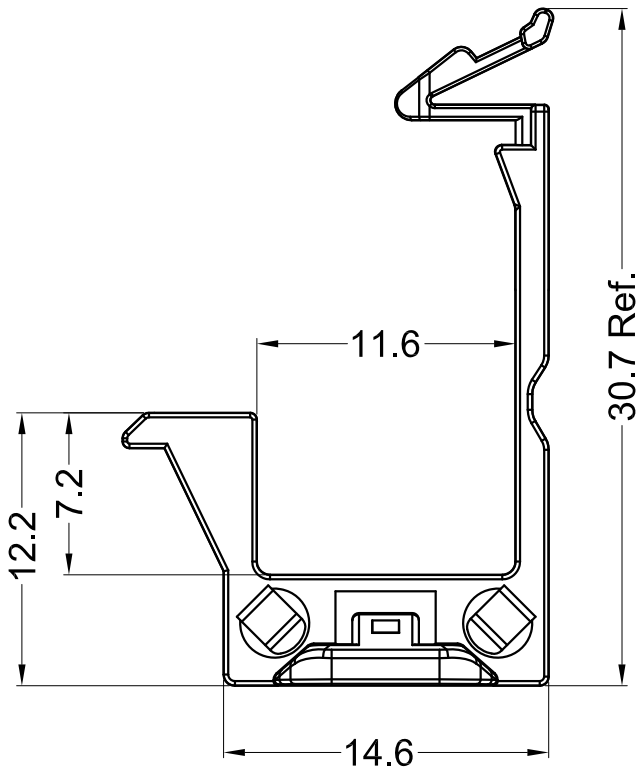


Mounting hole dimensions



Notes:

1. Material: PA66 UL94V0;
2. Color: Natural;
3. RoHS Compliant;

Gecko International Co.

DATE

2015-7-7

DIMENSION

TOLERANCE

TITLE

SIDE MOUNT WIRE SADDLE

SCALE

FIT

$L \leq 4$

± 0.10

PART NAME

GSMWSLT-1-19

MOLD NO.

S0857

DRAW

JF

UNIT

MM

$4 < L \leq 15$

± 0.20

PART NO.

60788

MATERIAL

SEE NOTES

DESIGN

JF

VERSION

A0

$15 < L \leq 50$

± 0.30

DWG NO.

E6242

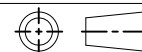
COLOR

SEE NOTES

APPROVAL

FDL

VIEW



$50 < L \leq 100$

± 0.40