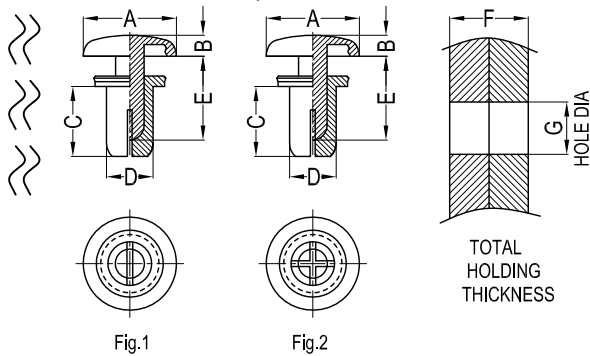


Shockproof Version



- Notes:
 1. Material: PA46 UL94 V2;
 2. Color: Tan
 3. RoHS Compliant;
 4. Patent.

Part No.	Article No.	Hole Dia. G	Extraction Force Kgf(Min.)	F	A	B	C	D	E	Fig.
21579	GRHRF2024	2.1-2.2	3.0	0.6-1.2	4.2	1.2	2.4	2.0	2.8	1
21262	GRHRF2032			1.3-2.0			3.2		3.8	
21584	GRHRF2040			2.1-2.8			4.0		5.5	
21589	GRHRF2048			2.9-3.6			4.8		7.2	
21496	GRHRF2056			3.7-4.4			5.6			
21594	GRHRF2064			4.4-5.2			6.4			
21599	GRHRF2632	2.7-2.8	3.0	1.0-2.0	5.0	1.4	3.2	2.6	4.6	
21463	GRHRF2642			2.0-3.0			4.2		6.2	
21604	GRHRF2648			2.7-3.6			4.8			
21346	GRHRF2655			3.4-4.3			5.5		7.8	
21609	GRHRF2664			4.3-5.2			6.4			
21614	GRHRF2672			5.1-6.0			7.2			
21213	GRHRF3035	3.1-3.2	7.0	1.0-2.0	6.4	1.7	3.5	3.0	5.1	
21188	GRHRF3045			2.0-3.0			4.5		6.1	
21572	GRHRF3050			2.5-3.5			5.0			
21248	GRHRF3055			3.0-4.0			5.5		7.1	
21236	GRHRF3065			4.0-5.0			6.5			
21267	GRHRF3075			5.0-6.0			7.5		9.0	
21357	GRHRF3080			5.5-6.5			8.0			
21370	GRHRF3090			6.5-7.5			9.0		11.0	
21277	GRHRF3100			7.5-8.5			10.0			
21619	GRHRF3145			11.5-13.0			14.5		15.5	
21524	GRHRF3230			20.5-21.5			23.0			
21624	GRHRF3535			3.6-3.7			7.0		1.2-2.1	6.4
21629	GRHRF3545	2.1-3.0	4.5		6.1					
21634	GRHRF3550	2.7-3.6	5.0							
21471	GRHRF3555	3.0-4.0	5.5		7.1					
21253	GRHRF3560	3.7-4.6	6.0							
21639	GRHRF3570	4.5-5.5	7.0		9.0					
21272	GRHRF3580	5.5-6.5	8.0							
21282	GRHRF4040	4.1-4.2	15.0	1.7-2.5	8.0	1.8	4.0	4.0	5.1	
21504	GRHRF4050			2.5-3.5			5.0		7.1	
21426	GRHRF4055			3.0-4.0			5.5			
21433	GRHRF4060			3.5-4.5			6.0		9.0	
21190	GRHRF4070			4.5-5.5			7.0			
21206	GRHRF4080			5.5-6.5			8.0		11.0	
21207	GRHRF4090			6.5-7.5			9.0			
21208	GRHRF4100			7.5-8.5			10.0		14.0	
21287	GRHRF4120			9.0-10.5			12.0			
21659	GRHRF4140			11.0-12.0			14.0		14.0	
21365	GRHRF4155			12.5-14.0			15.5			
21307	GRHRF5045			5.1-5.2			20.0		1.5-2.5	9.0
21312	GRHRF5055	2.5-3.5	5.5		8.5					
21226	GRHRF5065	3.5-4.5	6.5							
21231	GRHRF5075	4.5-5.5	7.5		10.5					
21295	GRHRF5085	5.5-6.5	8.5							
21300	GRHRF5095	6.5-7.5	9.5							
21209	GRHRF5105	7.5-8.5	10.5	12.0						
21210	GRHRF5865	3.0-4.5	2.7		6.3	5.8				
21211	GRHRF6060	6.1-6.2	30.0	2.5-4.0	12.0	2.5	6.0	6.0	9.0	
21212	GRHRF6080			3.5-5.5		3.0	8.0		10.0	
21443	GRHRF6140			7.5-8.5		14.0	14.0			

Gecko International Co.

DATE

2022-11-28

DIMENSION

TOLERANCE

TITLE

SHOCKPROOF PUSH RIVETS

SCALE

FIT

L ≤ 4

±0.10

ARTICLE NO.

GRHRF

MOLD NO.

/

DRAW

JF

UNIT

MM

4 < L ≤ 15

±0.20

PART NO.

SEE TABLE

MATERIAL

SEE NOTES

DESIGN

JF

VERSION

A0

15 < L ≤ 50

±0.30

DWG NO.

/

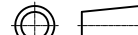
COLOR

SEE TABLE

APPROVAL

FDL

VIEW



50 < L ≤ 100

±0.40