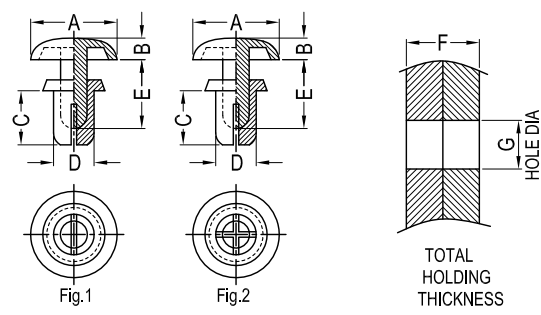


REV	DESCRIPTION	DATE	CHECK
A1	Change Extraction Force	2016-2-27	FDL



Notes:
 1.Material:PA46 UL94 V2;
 2.Colo:Tan;
 3.RoHS Compliant.

Part No.	Article No.	Hole Dia. G	Extraction Force Kgf(Min.)	Total Holding Thickness F	A	B	C	D	E	Fig.	
20003	GRHR2024	2.1-2.2	3.0	0.6-1.2	4.2	1.2	2.4	2.0	2.8	1	
20007	GRHR2032			1.3-2.0			3.2		3.8		
20011	GRHR2040			2.1-2.8			4.0		5.5		
20015	GRHR2048			2.9-3.6			4.8		7.2		
20019	GRHR2056			3.7-4.4			5.6				
20023	GRHR2064			4.4-5.2			6.4				
20027	GRHR2632	2.7-2.8	3.0	1.0-2.0	5.0	1.4	3.2	2.6	4.6		1
20035	GRHR2642			2.0-3.0			4.2		6.2		
20040	GRHR2648			2.7-3.6			4.8		7.8		
20044	GRHR2655			3.4-4.3			5.5				
20048	GRHR2664			4.3-5.2			6.4				
20052	GRHR2672			5.1-6.0			7.2				
20056	GRHR3035	3.1-3.2	7.0	1.0-2.0	6.4	1.6	3.5	3.0	5.1	2	
20061	GRHR3045			2.0-3.0			4.5		6.1		
21488	GRHR3050			2.5-3.5			5.0		7.1		
20070	GRHR3055			3.0-4.0			5.5		9.0		
20074	GRHR3065			4.0-5.0			6.5		11.0		
20082	GRHR3075			5.0-6.0			7.5		15.5		
20095	GRHR3080			5.5-6.5			8.0		24.0		
20103	GRHR3090			6.5-7.5			9.0		6.1		
20107	GRHR3100			7.5-8.5			10.0		7.1		
21640	GRHR3145			11.5-13.0			14.5		9.0		
20112	GRHR3230			20.5-21.5			23.0		11.0		
21136	GRHR3055-SP			3.0-4.0			5.5		16.6		
20116	GRHR3535	3.6-3.7	7.0	1.2-2.1	6.4	1.6	3.5	3.5	5.1	2	
20120	GRHR3545			2.1-3.0			4.5		6.1		
20125	GRHR3550			2.7-3.6			5.0		7.1		
20131	GRHR3555			3.0-4.0			5.5		9.0		
20136	GRHR3560			3.7-4.6			6.0		11.0		
20140	GRHR3570			4.5-5.5			7.0		14.0		
20148	GRHR3580	5.5-6.5	8.0	16.6							
20973	GRHR4040	4.1-4.2	15.0	1.7-2.5	8.0	1.8	4.0	4.0	5.0		2
20152	GRHR4050			2.5-3.5			5.0		7.1		
21641	GRHR4055			3.0-4.0			5.5		9.0		
20165	GRHR4060			3.5-4.5			6.0		11.0		
20175	GRHR4070			4.5-5.5			7.0		14.0		
20182	GRHR4080			5.5-6.5			8.0		16.6		
20186	GRHR4090	6.5-7.5	9.0	9.0							
20193	GRHR4100	5.1-5.2	20.0	7.5-8.5	9.0	2.2	10.0	5.0	11.0	2	
20200	GRHR4120			9.0-10.5			12.0		14.0		
21359	GRHR4155			12.5-14.0			15.5		16.6		
20205	GRHR5045			1.5-2.5			4.5		6.5		
20209	GRHR5055			2.5-3.5			5.5		8.5		
20213	GRHR5065			3.5-4.5			6.5		10.5		
20224	GRHR5075	4.5-5.5	7.5	12.0							
20234	GRHR5085	5.5-6.5	8.5								
20240	GRHR5095	6.5-7.5	9.5								
20244	GRHR5105	7.5-8.5	10.5								
20248	GRHR5865	5.9-6.0	20.0	3.0-4.5	12.0	2.7	6.3	5.8	9.0		2
20937	GRHR6060	6.1-6.2	30.0	2.5-4.0		2.5	6.0	6.0	6.0		
20256	GRHR6080			3.5-5.5		8.0	28.0				
21137	GRHR6026			21.5-23.5	26.0	28.0					
21642	GRHR6028			23.5-25.5	28.5	30.5					

Gecko International Co.

DATE						2021-11-4		DIMENSION		TOLERANCE	
TITLE						PUSH RIVETS		SCALE		FIT	
ARTICLE NO.						GRHR		MOLD NO.		/	
DRAW						JF		UNIT		MM	
PART NO.						SEE TABLE		MATERIAL		SEE TABLE	
DESIGN						JF		VERSION		A1	
APPROVAL						FDL		VIEW			
DRAWING NO.						/		COLOR		SEE TABLE	