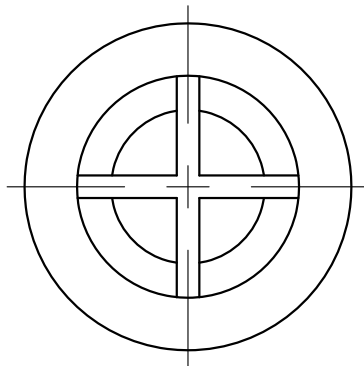
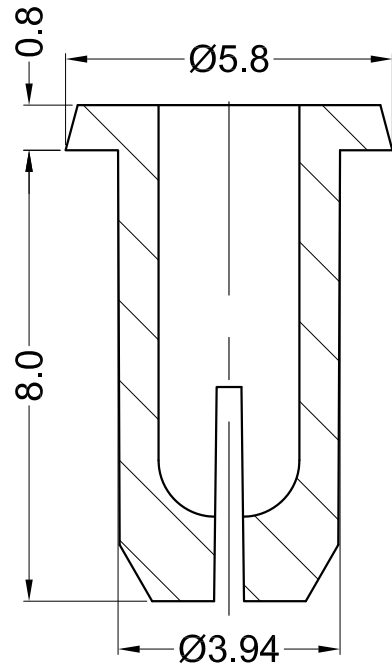
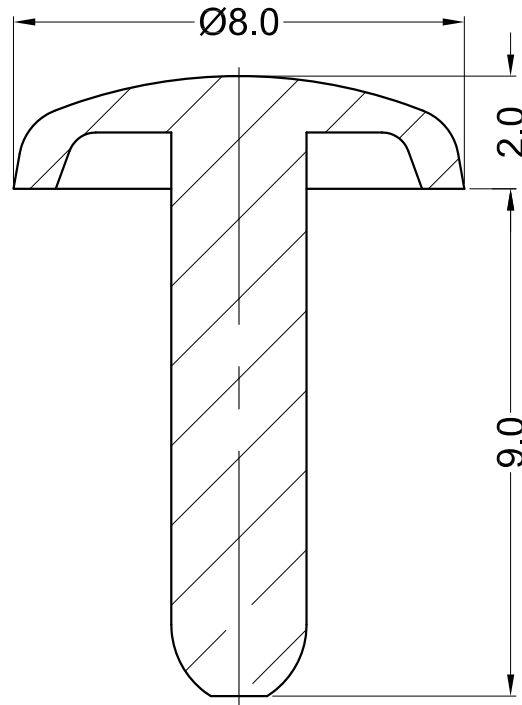


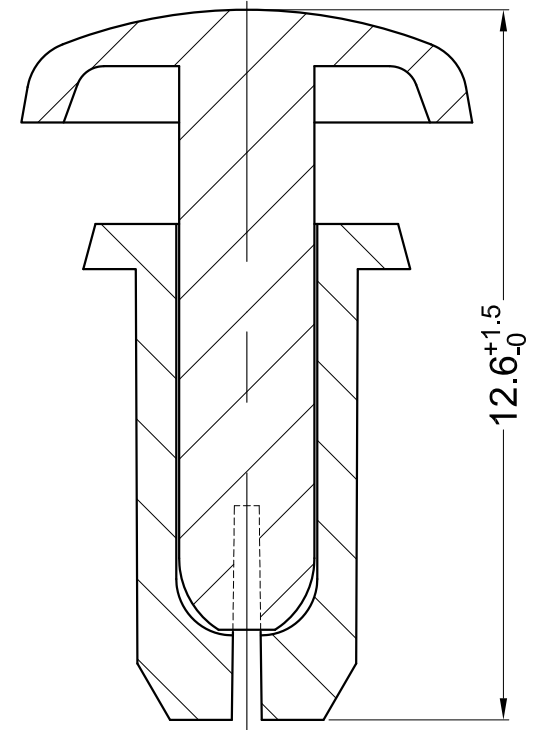
Body



Pin



Assembly Part



Notes:

- 1. Material: PA6 UL94V2;
- 2. Color: Black;
- 3. RoHS Compliant;
- 4. Hole: Ø4.1-4.2mm;
Panel Thickness: 5.5-6.5mm;

Gecko International Co.						DATE	2014-9-24	DIMENSION		TOLERANCE	
TITLE	SNAP RIVETS					SCALE	FIT	L ≤ 4	±0.10		
PART NAME	GR104800B	MOLD NO.	S0070/71/72/254	DRAW	JF	UNIT	MM	4 < L ≤ 15	±0.20		
PART NO.	20260	MATERIAL	SEE NOTES	DESIGN	JF	VERSION	A0	15 < L ≤ 50	±0.30		
DWG NO.	E2047	COLOR	SEE NOTES	APPROVAL	FDL	VIEW		50 < L ≤ 100	±0.40		