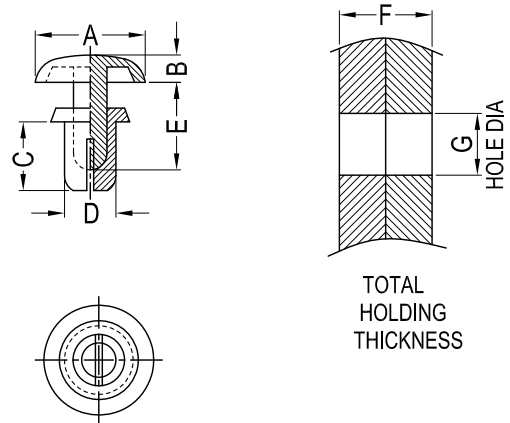


REV	DESCRIPTION	DATE	CHECK
A1	Change Extraction Force	2016-2-27	FDL

Notes:
RoHS Compliant.



TOTAL
HOLDING
THICKNESS

Material:PA6 UL94 V2 Color:Black / White		Material:PA66 UL94 V0 Color:Black		Hole Dia. G	Extraction Force Kgf(Min.)	F	A	B	C	D	E
Part No.	Article No.	Part No.	Article No.								
20000/20002	GR2024B/W	20001	GR2024BV0	2.1-2.2	3.0	0.6-1.2	4.2	1.2	2.4	2.0	2.8
20004/20006	GR2032B/W	20005	GR2032BV0			1.3-2.0			3.8		
20008/20010	GR2040B/W	20009	GR2040BV0			2.1-2.8			5.5		
20012/20014	GR2048B/W	20013	GR2048BV0			2.9-3.6			5.5		
20016/20018	GR2056B/W	20017	GR2056BV0			3.7-4.4			7.2		
20020/20022	GR2064B/W	20021	GR2064BV0			4.4-5.2					
20024/20026	GR2632B/W	20025	GR2632BV0	2.7-2.8	3.0	1.0-2.0	5.0	1.4	3.2	2.6	4.6
20032/20034	GR2642B/W	20033	GR2642BV0			2.0-3.0			4.2		
20037/20039	GR2648B/W	20038	GR2648BV0			2.7-3.6			4.8		
20041/20043	GR2655B/W	20042	GR2655BV0			3.4-4.3			6.2		
20045/20047	GR2664B/W	20046	GR2664BV0			4.3-5.2			7.8		
20049/20051	GR2672B/W	20050	GR2672BV0			5.1-6.0			7.8		
20053/20055	GR3035B/W	20054	GR3035BV0	3.1-3.2	7.0	1.0-2.0	6.4	1.6	3.5	3.0	5.1
20058/20060	GR3045B/W	20059	GR3045BV0			2.0-3.0			4.5		
20916/20915	GR3050B/W	20917	GR3050BV0			2.5-3.5			5.0		
20067/20069	GR3055B/W	20068	GR3055BV0			3.0-4.0			5.5		
20071/20073	GR3065B/W	20072	GR3065BV0			4.0-5.0			6.5		
20079/20081	GR3075B/W	20080	GR3075BV0			5.0-6.0			7.5		
20092/20094	GR3080B/W	20093	GR3080BV0			5.5-6.5			8.0		
20100/20102	GR3090B/W	20101	GR3090BV0			6.5-7.5			9.0		
20104/20106	GR3100B/W	20105	GR3100BV0			7.5-8.5			10.0		
20108/20726	GR3145B/W	20748	GR3145BV0			11.5-13.0			14.5		
20109/20111	GR3230B/W	20110	GR3230BV0			20.5-21.5			23.0		

Gecko International Co.

DATE

2021-11-4

DIMENSION

TOLERANCE

TITLE

SNAP RIVETS

SCALE

FIT

$L \leq 4$

± 0.10

ARTICLE NO.

GR1

MOLD NO.

/

DRAW

JF

UNIT

MM

$4 < L \leq 15$

± 0.20

PART NO.

SEE TABLE

MATERIAL

SEE TABLE

DESIGN

JF

VERSION

A1

$15 < L \leq 50$

± 0.30

DWG NO.

/

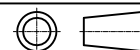
COLOR

SEE TABLE

APPROVAL

FDL

VIEW



$50 < L \leq 100$

± 0.40