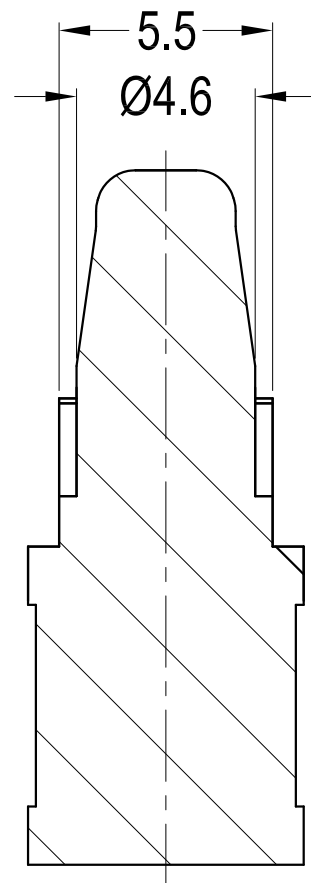
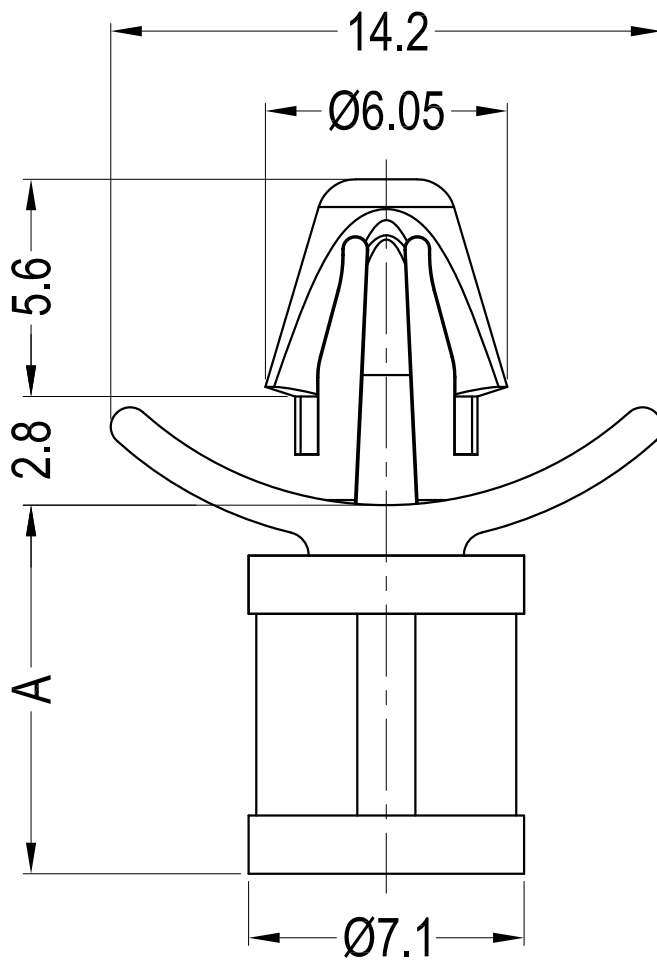


Notes:

- 1. Color: Natural;
 - 2. RoHS Compliant;
 - 3. Hole: $\text{Ø}4.75\pm0.08\text{mm}$
- Panel Thickness: 0.79-1.98mm

Part No.	Article No.	A	Material
41196	GPS-3-66	4.8	PA66 UL94 V2
41197	GPS-4-66	6.4	
41273	GPS-5-66	7.9	
41198	GPS-6-66	9.5	
41199	GPS-7-66	11.1	
41200	GPS-8-66	12.7	
41201	GPS-10-66	15.9	
41202	GPS-12-66	19.1	
41203	GPS-14-66	22.2	
41350	GPS-3-V0	4.8	
41351	GPS-4-V0	6.4	
41352	GPS-5-V0	7.9	
41353	GPS-6-V0	9.5	
41354	GPS-7-V0	11.1	
41355	GPS-8-V0	12.7	
41356	GPS-10-V0	15.9	
41357	GPS-12-V0	19.1	
41358	GPS-14-V0	22.2	



Gecko International Co.

Gecko International Co.						DATE	2023-8-16	DIMENSION	TOLERANCE
TITLE	PUSH SPACER					SCALE	FIT	L ≤ 4	±0.10
ARTICLE NO.	GPS	MOLD NO.	S0510	DRAW	PLK	UNIT	MM	4 < L ≤ 15	±0.20
PART NO.	SEE TABLE	MATERIAL	SEE TABLE	DESIGN	PLK	VERSION	A0	15 < L ≤ 50	±0.30
DWG NO.	E4127	COLOR	SEE NOTES	APPROVAL	FDL	VIEW		50 < L ≤ 100	±0.40