

Fig.1

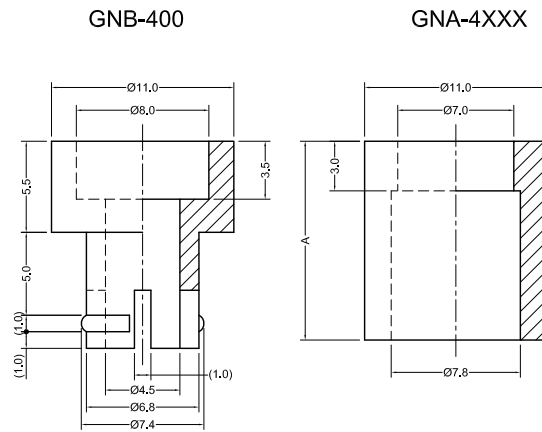
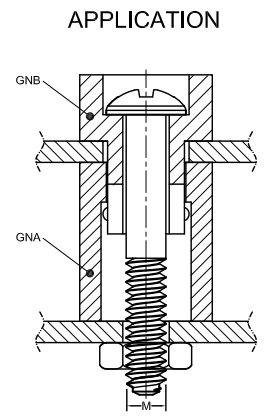


Fig.2



Notes:
RoHS Compliant

Part No.	Article No.	Part No.	Article No.	A	Hole	Panel Thickness	Material	Color	M	Fig.
43520	GNB-300	43510	GNA-305	5.7	Ø6.5±0.08	1.2-2.0	ABS UL94HB	Natural	M3	1
		43511	GNA-307	7.5						
		43512	GNA-310	10.0						
		43513	GNA-315	15.0						
		43514	GNA-320	20.0						
		43657	GNA-325	25.0						
43521	GNB-300B	43515	GNA-305B	5.7						
		43516	GNA-307B	7.5						
		43517	GNA-310B	10.0						
		43518	GNA-315B	15.0						
		43519	GNA-320B	20.0						
		43658	GNA-325B	25.0						
43534	GNB-400	43522	GNA-405	5.7	Ø7.5±0.08	1.2-2.0	ABS UL94HB	Natural	M4	2
		43523	GNA-407	7.5						
		43524	GNA-410	10.0						
		43655	GNA-411.5	11.5						
		43525	GNA-412.5	12.5						
		43526	GNA-415	15.0						
		43527	GNA-420	20.0						
43535	GNB-400B	43528	GNA-405B	5.7						
		43529	GNA-407B	7.5						
		43530	GNA-410B	10.0						
		43656	GNA-411.5B	11.5						
		43531	GNA-412.5B	12.5						
		43532	GNA-415B	15.0						
43533	GNA-420B	20.0								

Gecko International Co.

DATE

2021-10-27

DIMENSION

TOLERANCE

TITLE

ONE-TOUCH, COLLAR&BUSH

SCALE

FIT

L ≤ 4

±0.10

ARTICLE NO.

GNB&GNA

MOLD NO.

/

DRAW

PLK

UNIT

MM

4 < L ≤ 15

±0.20

PART NO.

SEE TABLE

MATERIAL

SEE TABLE

DESIGN

PLK

VERSION

A0

15 < L ≤ 50

±0.30

DWG NO.

E4378

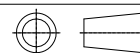
COLOR

SEE TABLE

APPROVAL

FDL

VIEW



50 < L ≤ 100

±0.40