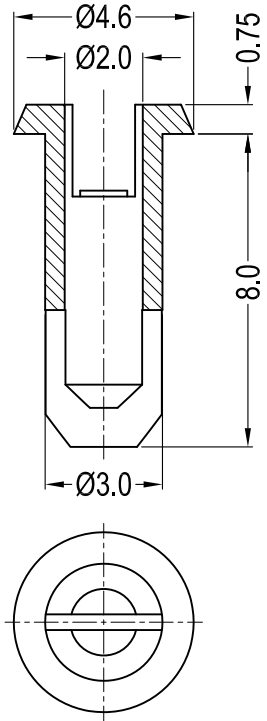
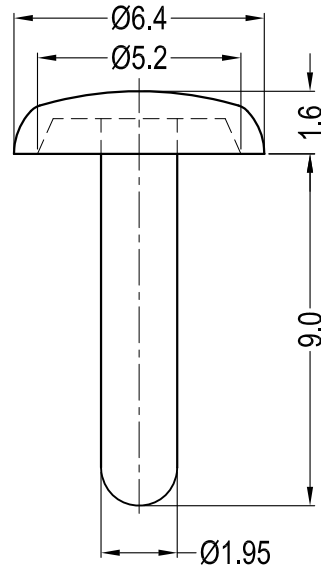


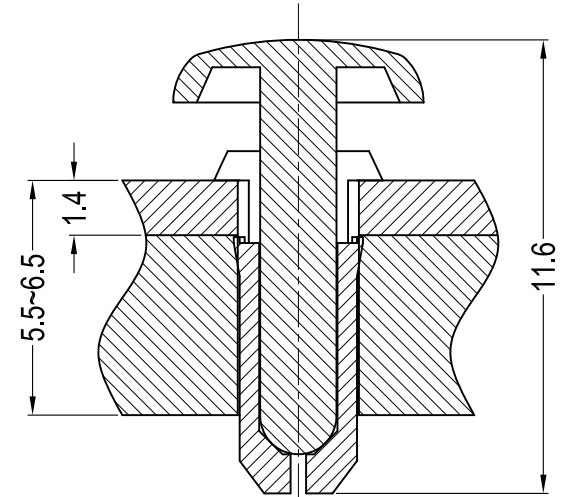
Body



Pin



Assembly Part



Notes:

1. Material: PA6 UL94 V2;
2. Color: Black;
3. RoHS Compliant;
4. Hole: $\text{Ø}3.1_{-0}^{+0.1}$ mm;
Panel Thickness: 5.5-6.5mm.

Gecko International Co.						DATE	2012-6-6	DIMENSION	TOLERANCE
TITLE	PUSH RIVET					SCALE	FIT	$L \leq 4$	± 0.10
PART NAME	GM-SR3080	MOLD NO.	S0241	DRAW	JF	UNIT	MM	$4 < L \leq 15$	± 0.20
PART NO.	20661	MATERIAL	SEE NOTES	DESIGN	JF	VERSION	A0	$15 < L \leq 50$	± 0.30
DWG NO.	E2178	COLOR	SEE NOTES	APPROVAL	FDL	VIEW		$50 < L \leq 100$	± 0.40