

Fig.1

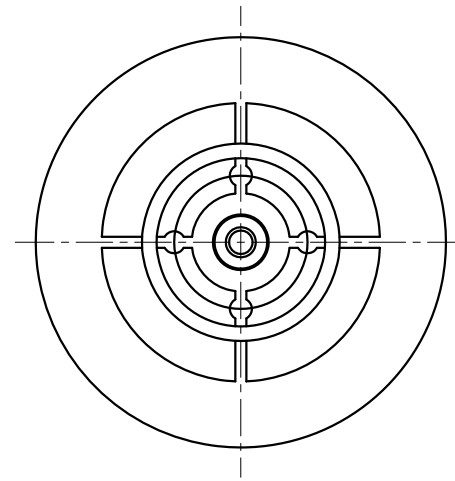
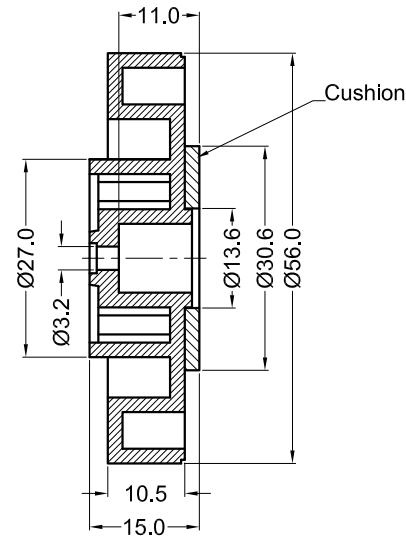


Fig.2

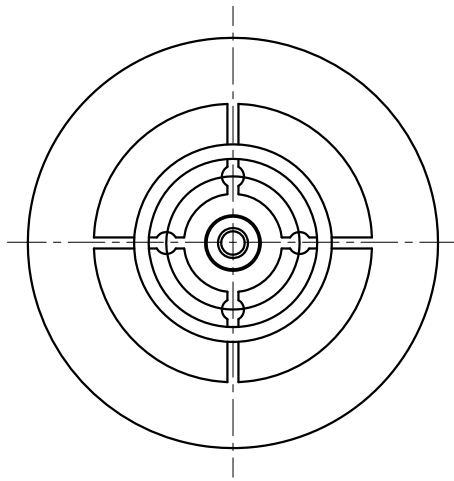
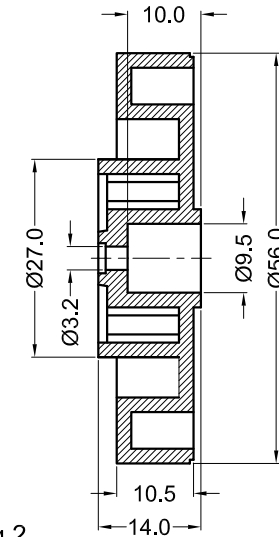
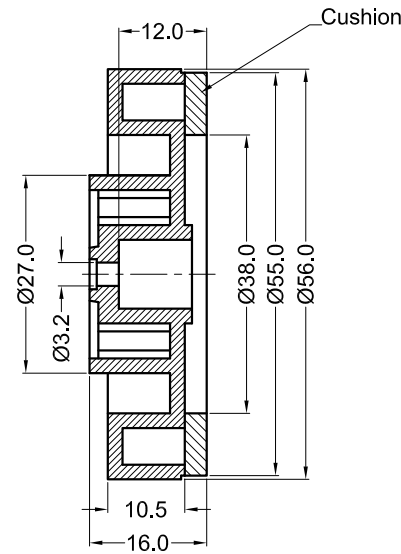


Fig.3



Part No.	Article No.	Cushion Material	Cushion Size	Finish	Fig.
30106	GFF-5610	EVA Tape	2.0T*30.6*13.6	/	1
30107	GFF-5610BB-G	/	/	Gold Plated	2
30108	GFF-5610BB-S	/	/	Silver Plated	
30109	GFF-5610BB-SW	/	/	Silver-White Plated	
30110	GFF-5610-G	EVA Tape	2.0T*30.6*13.6	Gold Plated	1
30111	GFF-5610-S	EVA Tape	2.0T*30.6*13.6	Silver Plated	
30112	GFF-5610-SW	EVA Tape	2.0T*30.6*13.6	Silver-White Plated	3
30113	GFF-5610-SWT	EVA Tape	3.0T*55.0*38.0		

Notes:

- 1.Foot Material: ABS UL94 HB;
- 2.Color: Black;
- 3.RoHS Compliant;

Gecko International Co.						DATE	2019-10-23	DIMENSION	L ≤ 4	TOLERANCE	±0.10
TITLE	ABS FOOT					SCALE	FIT	L ≤ 4	±0.10		
ARTICLE NO.	GFF-5610	MOLD NO.	S0161	DRAW	JF	UNIT	MM	4 < L ≤ 15	±0.20		
PART NO.	SEE TABLE	MATERIAL	SEE NOTES	DESIGN	JF	VERSION	A0	15 < L ≤ 50	±0.30		
DWG NO.	E3030	COLOR	SEE NOTES	APPROVAL	FDL	VIEW		50 < L ≤ 100	±0.40		