

Fig.1

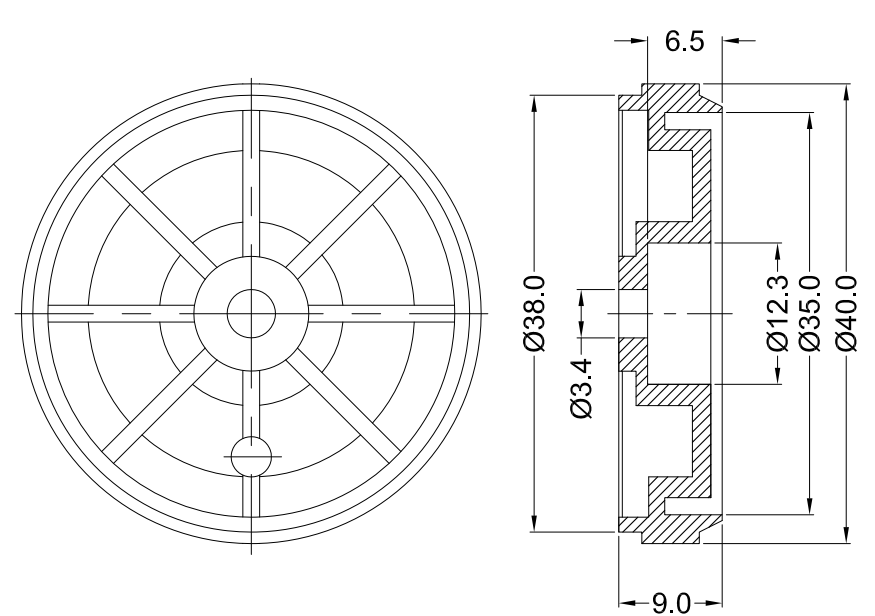


Fig.2

PartNo.	Article No.	Cushion Material	Finish	Fig.
30082	GFF-4010	TPV UL94 HB	/	1
30083	GFF-4010BP-G	/	Gold Plated	2
30084	GFF-4010BP-S	/	Silver Plated	
30085	GFF-4010BP-SW	/	Silver-White Plated	1
30087	GFF-4010-SW	TPV UL94 HB		
30088	GFF-4010-S	TPV UL94 HB	Silver Plated	1
30089	GFF-4010-G	TPV UL94 HB	Gold Plated	

Gecko International Co.						DATE	2019-10-23	DIMENSION	TOLERANCE
TITLE	ABS FOOT					SCALE	FIT	L ≤ 4	±0.10
ARTICLE NO.	GFF-4010	MOLD NO.	S0149/150	DRAW	JF	UNIT	MM	4 < L ≤ 15	±0.20
PART NO.	SEE TABLE	MATERIAL	SEE NOTES	DESIGN	JF	VERSION	A0	15 < L ≤ 50	±0.30
DWG NO.	E3024	COLOR	SEE NOTES	APPROVAL	FDL	VIEW		50 < L ≤ 100	±0.40

Notes:

- 1.Foot Material: ABS UL94 HB;
- 2.Color: Black;
- 3.RoHS Compliant;