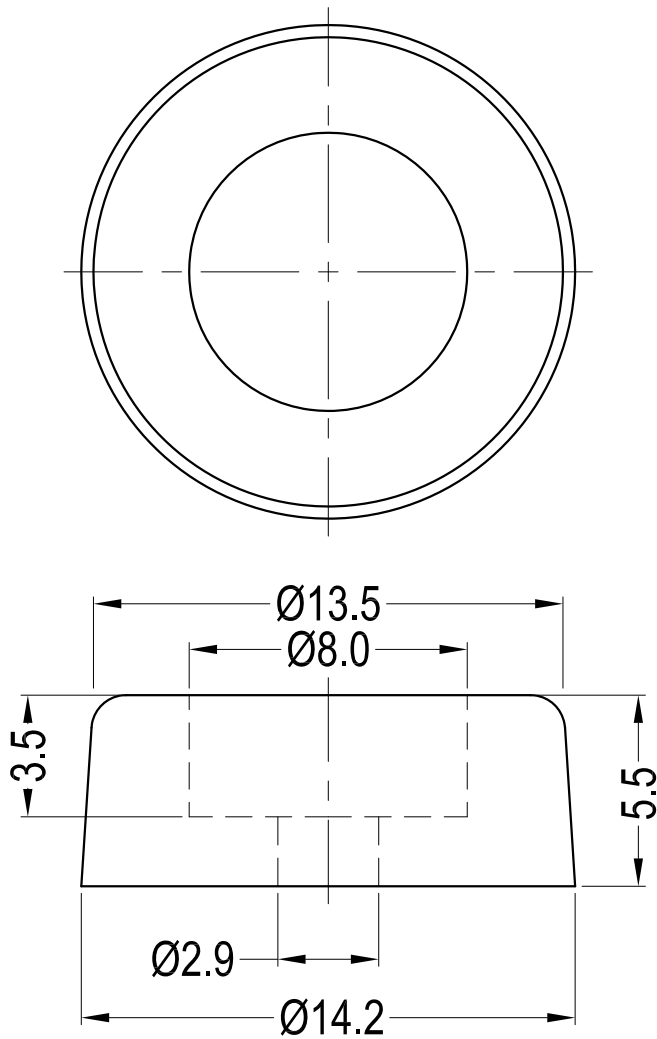
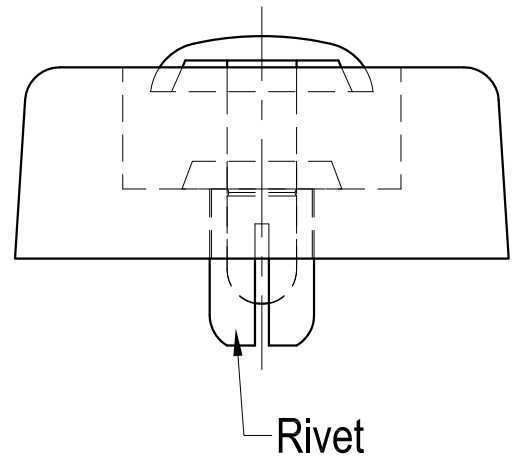


Body



Assembly



Notes:

- 1.Color:Black;
- 2.RoHS Compliant;
- 3.Hole:Ø3.1-3.2mm.

Part No.	Part Name	Material(Body)	Material(Pin)	Panel Thickness
30267	GF-103BB	TPV UL94 HB	/	/
30014	GF-103-R3055		PA6 UL94 V2	0.8-1.8
30177	GF-103-R3065			1.8-2.8

Gecko International Co.

Gecko International Co.						DATE	2014-8-14	DIMENSION	TOLERANCE
TITLE	SOFT FAST FOOT					SCALE	FIT	L ≤ 4	±0.10
PART NAME	GF-103	MOLD NO.	S0125	DRAW	JF	UNIT	MM	4 < L ≤ 15	±0.20
PART NO.	SEE TABLE	MATERIAL	SEE TABLE	DESIGN	JF	VERSION	A0	15 < L ≤ 50	±0.30
DWG NO.	E3005	COLOR	SEE NOTES	APPROVAL	FDL	VIEW		50 < L ≤ 100	±0.40