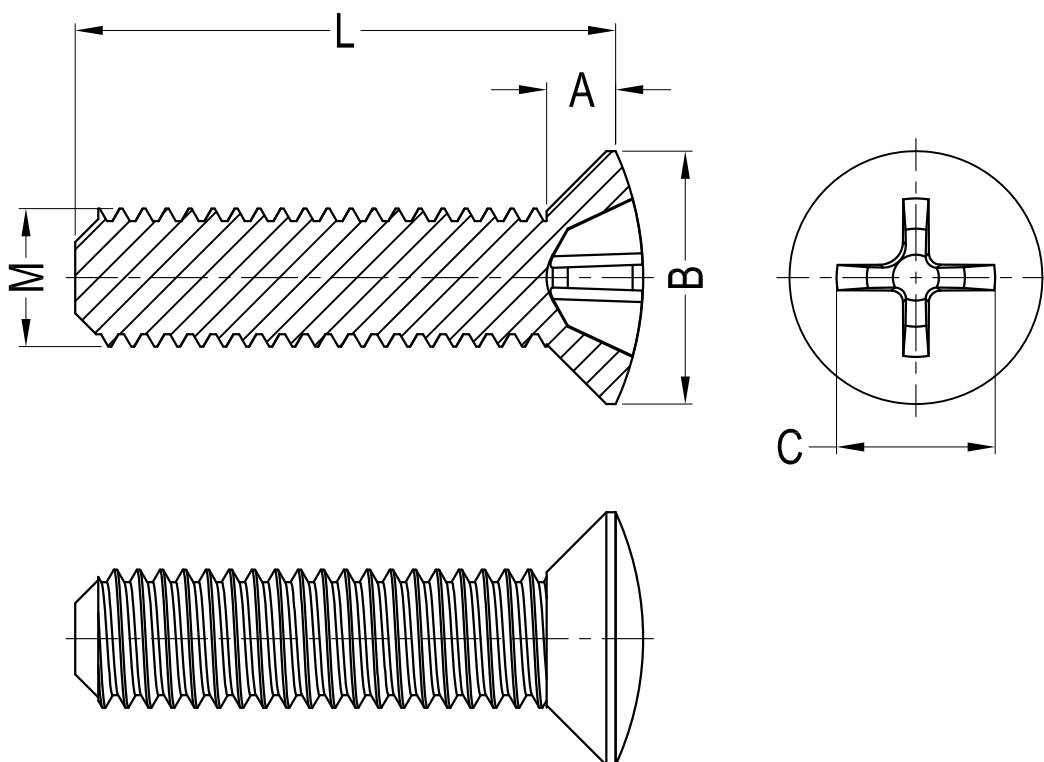


Notes:

1. Material: PA66 UL94 V2;
2. Color: Natural;
3. Male (M2) Torques:  $\cong 0.06$  Nm;  
 Male (M2.5) Torques:  $\cong 0.08$  Nm;  
 Male (M3) Torques:  $\cong 0.13$  Nm;  
 Male (M4) Torques:  $\cong 0.3$  Nm;  
 Male (M5) Torques:  $\cong 0.58$  Nm;  
 Male (M6) Torques:  $\cong 0.8$  Nm;
4. RoHS Compliant.

REV	DESCRIPTION	DATE	CHECK
A1	The mark position of "L" changed	2016-4-13	FDL
A2	①2.8 Change to 2.7; ②3.5 Change to 2.7; ③4.2 Change to 3.3; ④Ø7.6 Change to Ø8.4;	2016-7-14	FDL



Part No. / Article No.	length																				A	B	C
	5.0	6.0	7.0	8.0	10.0	12.0	15.0	16.0	18.0	20.0	22.0	25.0	30.0	35.0	40.0	42.0	50.0	60.0					
GCSOHSC-7047-M2-L	50976	50977		50978	50979	50980		50981		50982		50983								1.2	Ø3.8	2.0	
GCSOHSC-7047-M2.5-L	50984	50985		50986	50987	50988		50989		50990		50991								1.5	Ø4.7	3.0	
GCSOHSC-7047-M3-L	50254	50255		50256	50257	50258		50259		50260		50261	50262			50263				1.65	Ø5.5	3.4	
GCSOHSC-7047-M4-L		50292		50293	50294	50295	50296	50297		50298		50299	50300	50301						2.7 <sup>①</sup>	Ø8.4 <sup>④</sup>	5.2	
GCSOHSC-7047-M5-L		50655	50334	50335	50336	50337	50338	50339	50340	50341		50342	50343	50344	50345					2.7 <sup>②</sup>	Ø9.0	5.4	
GCSOHSC-7047-M6-L				50378	50379	50380	50381	50382		50383	50384	50385	50386		50387		50388	50389		3.3 <sup>③</sup>	Ø11.0	7.3	

**Gecko International Co.**

DATE

2022-1-6

DIMENSION

TOLERANCE

TITLE

RAISED CROSSED COUNTERSUNK SCREW

SCALE

FIT

L ≤ 4

±0.10

ARTICLE NO.

GCSOHSC-7047

MOLD NO.

/

DRAW

JF

UNIT

MM

4 < L ≤ 15

±0.20

PART NO.

SEE TABLE

MATERIAL

SEE NOTES

DESIGN

JF

VERSION

A2

15 < L ≤ 50

±0.30

DWG NO.

E5038

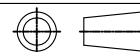
COLOR

SEE NOTES

APPROVAL

FDL

VIEW



50 < L ≤ 100

±0.40