

REV	DESCRIPTION	DATE	CHECK
A1	1. CBS-1-19 change to GBS0119 2. CBS-2-19 change to GBS0219 3. CBS-3-19 change to GBS0319	2022-10-13	FDL

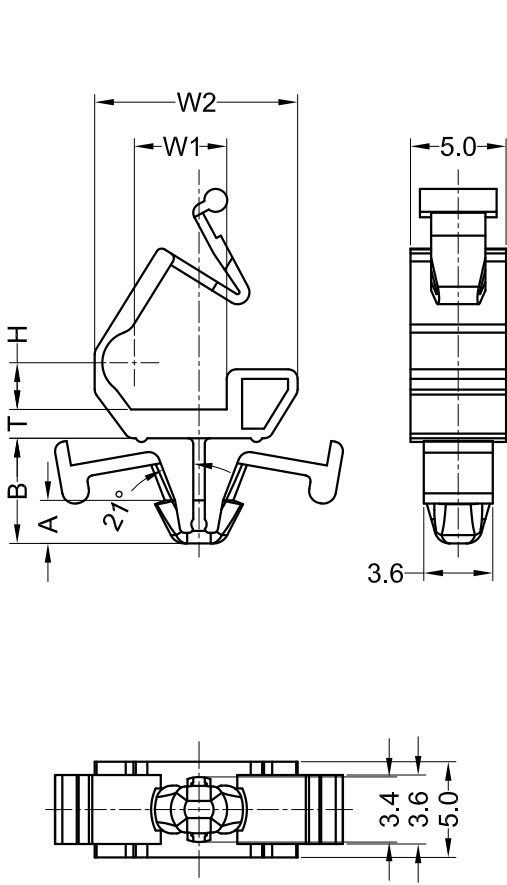


Fig.1

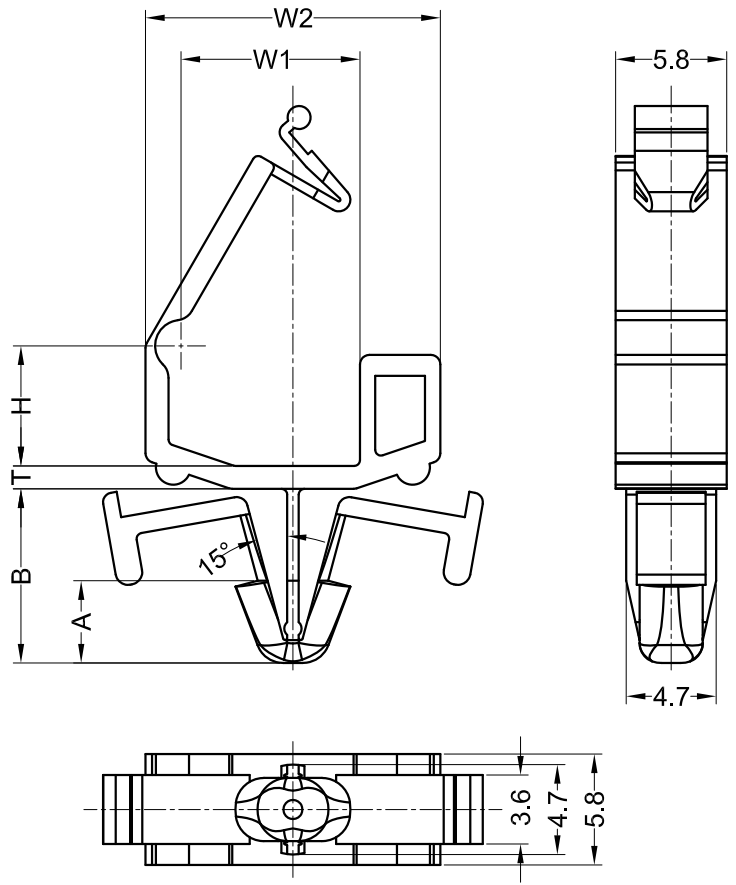


Fig.2

Notes:
1.RoHS Compliant

Part No.	Article No.	Material	Color	A	B	T	H	W1	W2	Hole Dia.	Panel Thickness	Fig.
61332	GBS0119	PA66 UL94 V0	Milky White	2.25	5.5	1.5	2.44	4.83	10.6	Ø3.5±0.1	0.8-1.6	1
61333	GBS0219	PA66 UL94 V0	Milky White	2.35	5.8	1.2	3.9	8.13	15.0	Ø3.5±0.1	0.8-1.6	
61334	GBS0319	PA66 UL94 V0	Milky White	4.3	4.7	1.2	6.27	9.35	15.4	Ø4.8±0.1	0.8-2.3	

Gecko International Co.

DATE

2022-10-13

DIMENSION

TOLERANCE

TITLE WIRE SADDLE LOCKING/ARROW MOUNT

SCALE

FIT

L ≤ 4

±0.10

ARTICLE NO.	GBS0	MOLD NO.	/	DRAW	PLK	UNIT	MM	4 < L ≤ 15	±0.20
PART NO.	SEE TABLE	MATERIAL	SEE TABLE	DESIGN	PLK	VERSION	A1	15 < L ≤ 50	±0.30
DWG NO.	E6326	COLOR	SEE TABLE	APPROVAL	FDL	VIEW		50 < L ≤ 100	±0.40