

Fig.1

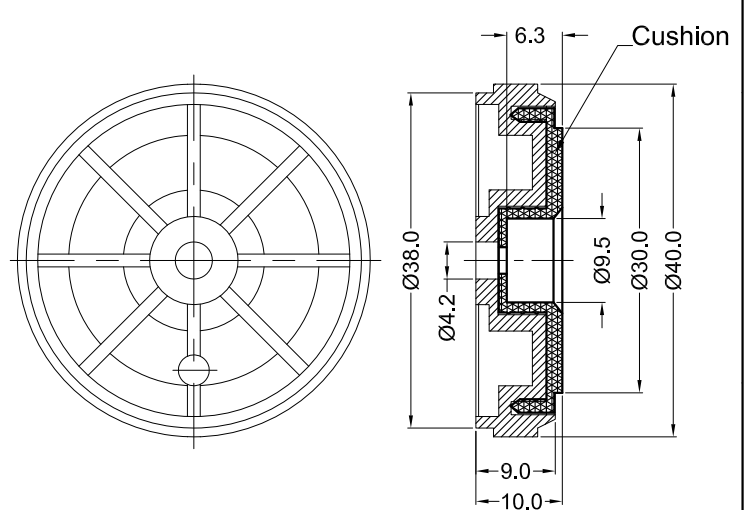


Fig.2

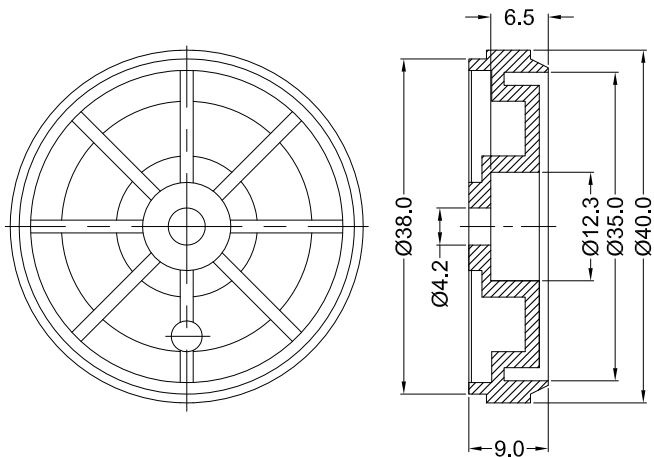


Fig.3

Notes:

- 1.Foot Material: ABS UL94 HB;
- 2.Color: Black;
- 3.RoHS Compliant;

PartNo.	Article No.	Cushion Material	Cushion Size	Finish	Fig.
30090	GBF-4010-EVA-G	EVA Tape	2.5T*35.0*12.0	Gold Plated	1
30091	GBF-4010-EVA-GP	TPV UL94 HB	/		2
30092	GBF-4010-EVA-S	EVA Tape	2.5T*35.0*12.0	Silver Plated	1
30093	GBF-4010-EVA-SP	TPV UL94 HB	/		2
30094	GBF-4010-EVA-SW	EVA Tape	2.5T*35.0*12.0	Silver-White Plated	1
30096	GBF-4010-EVA-SWP	TPV UL94 HB	/		2
30097	GBF-4010P-EVA-G	/	/	Gold Plated	3
30098	GBF-4010P-EVA-S	/	/	Silver Plated	
30099	GBF-4010P-EVA-SW	/	/	Silver-White Plated	

Gecko International Co.

DATE

2022-10-21

DIMENSION

TOLERANCE

TITLE

ABS FOOT

SCALE

FIT

L ≤ 4

±0.10

ARTICLE NO.	GBF-4010	MOLD NO.	S0149/150	DRAW	JF	UNIT	MM	4 < L ≤ 15	±0.20
PART NO.	SEE TABLE	MATERIAL	SEE NOTES	DESIGN	JF	VERSION	A0	15 < L ≤ 50	±0.30
DWG NO.	E3025	COLOR	SEE NOTES	APPROVAL	FDL	VIEW		50 < L ≤ 100	±0.40