

Fig.1

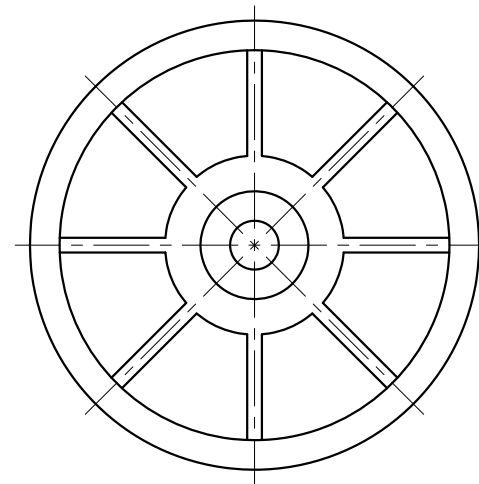
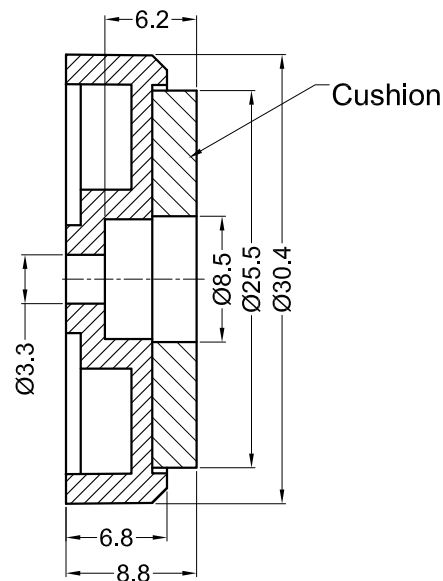


Fig.2

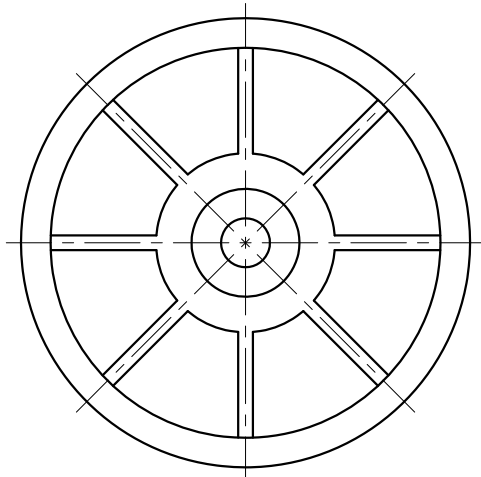
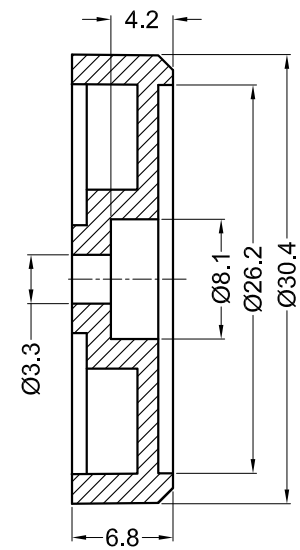
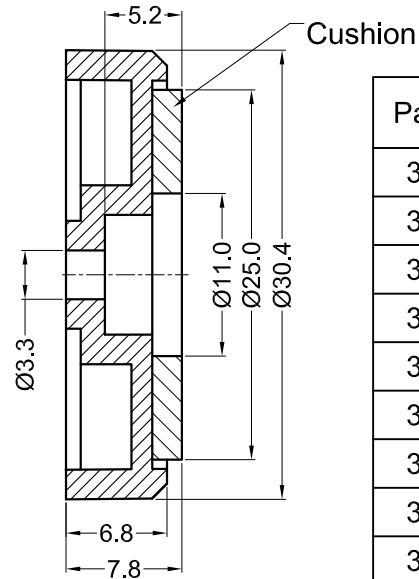


Fig.3



Part No.	Article No.	Cushion Material	Cushion Size	Finish	Fig.
30073	GBF-3010	EVA Tape	3.0T*26.0*8.0	/	1
30074	GBF-3010(RU)-S	RUBBER	2.0T*25.0*11.0	Silver Plated	3
30075	GBF-3010B-S	/	/		2
30076	GBF-3010B-SW	/	/	Silver-White Plated	
30077	GBF-3010B-G	/	/	Gold Plated	
30078	GBF-3010-S	EVA Tape	3.0T*26.0*8.0	Silver Plated	1
30079	GBF-3010-SW	EVA Tape	3.0T*26.0*8.0	Silver-White Plated	
30080	GBF-3010-G	EVA Tape	3.0T*26.0*8.0	Gold Plated	
30190	GBF-3010-S1	EVA Tape	3.0T*26.0*8.0	Silver Plated	

Notes:

- 1.Foot Material: ABS UL94 HB;
- 2.Color: Black;
- 3.RoHS Compliant;

Gecko International Co.						DATE	2021-11-19	DIMENSION	TOLERANCE
TITLE	ABS FOOT					SCALE	FIT	L ≤ 4	±0.10
ARTICLE NO.	GBF-3010	MOLD NO.	S0145	DRAW	JF	UNIT	MM	4 < L ≤ 15	±0.20
PART NO.	SEE TABLE	MATERIAL	SEE NOTES	DESIGN	JF	VERSION	A0	15 < L ≤ 50	±0.30
DWG NO.	E3022	COLOR	SEE NOTES	APPROVAL	FDL	VIEW		50 < L ≤ 100	±0.40