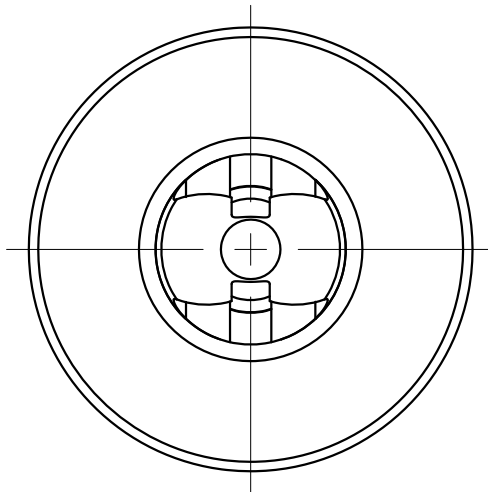


Notes:

1. Material: PA6 UL94V2(Body)
POM UL94HB(Pin);
2. Color: Black;
3. RoHS Compliant;
4. Hole: $\text{Ø}6.1 \pm 0.08\text{mm}$;
Panel Thickness: 2.0-3.0mm.



Gecko International Co.

DATE

2023-8-2

DIMENSION

TOLERANCE

TITLE

SCREW RIVETS

SCALE

FIT

$L \leq 4$

± 0.10

ARTICLE NO.

GA6016B

MOLD NO.

S0356/S0357/S1184/S1185

DRAW

PLK

UNIT

MM

$4 < L \leq 15$

± 0.20

PART NO.

10016

MATERIAL

SEE NOTES

DESIGN

PLK

VERSION

A0

$15 < L \leq 50$

± 0.30

DWG NO.

E1022

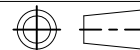
COLOR

SEE NOTES

APPROVAL

FDL

VIEW



$50 < L \leq 100$

± 0.40