

Fig.1

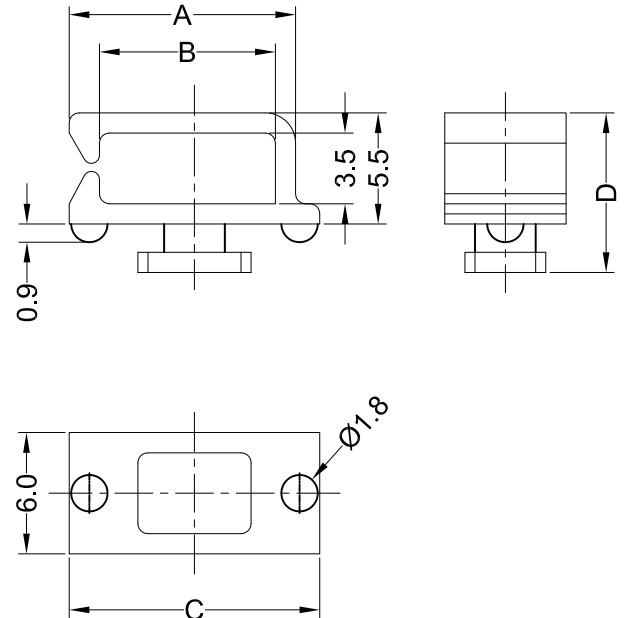
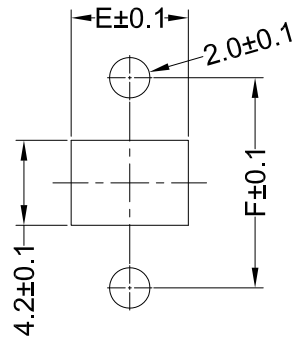


Fig.2

Mounting Hole Detail



- Notes:
 1.Material: PA66 UL94V2
 2.Color: Natural
 3. Hole: See Mounting Hole Detail
 4.RoHS Compliant

Part No.	Article No.	A	B	C	D	E	F	Panel Thickness	Fig.
61280	GA063	14.5	11.5	15.0	7.5	8.0	13.0	0.5-0.8	1
61331	GA064	11.2	8.7	12.4	7.9	5.8	10.4	0.8-1.6	2

Gecko International Co.

DATE

2022-10-14

DIMENSION

TOLERANCE

TITLE

HOLDER WIRE WITH QUARTER TURN

SCALE

FIT

$L \leq 4$

± 0.10

ARTICLE NO.

GA

MOLD NO.

/

DRAW

PLK

UNIT

MM

$4 < L \leq 15$

± 0.20

PART NO.

SEE TABLE

MATERIAL

SEE NOTES

DESIGN

PLK

VERSION

A0

$15 < L \leq 50$

± 0.30

DWG NO.

E6325

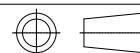
COLOR

SEE NOTES

APPROVAL

FDL

VIEW



$50 < L \leq 100$

± 0.40