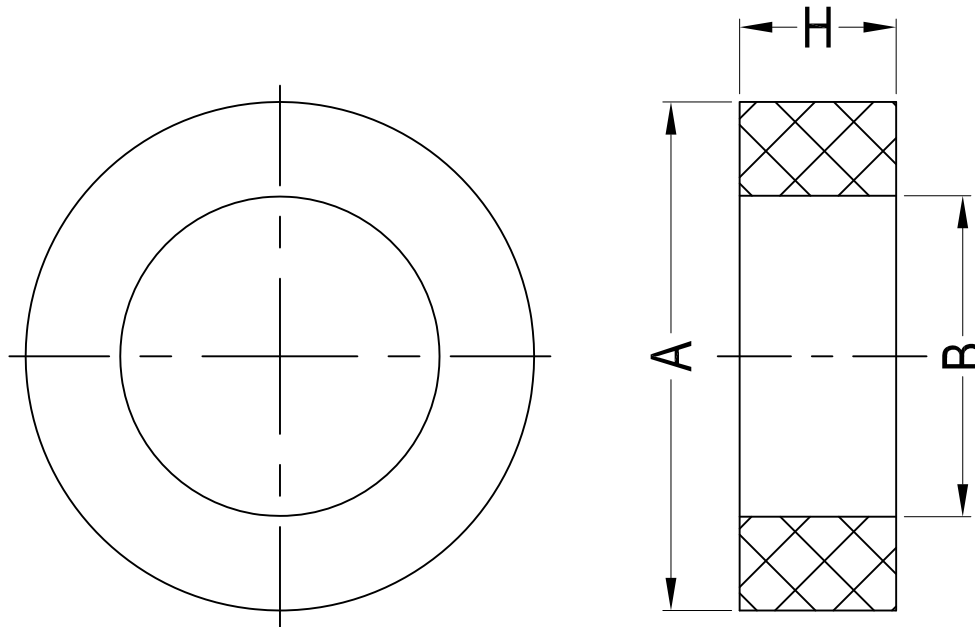


Part No.	Part Name	A	B	H	Color
60015	G611-30150016B	6.45	3.7	15.2	Black
60016	G611-30150016N				Natural
60017	G611-30150014B	15.75	9.85	4.75	Black
60018	G611-30150014N				Natural
60019	G611-30150004B	16.15	11.3	3.25	Black
60020	G611-30150004N				Natural



Notes:

- 1.Material:PA6 UL94 V2;
- 2.RoHS Compliant;

Gecko International Co.						DATE	2012-7-14	DIMENSION	TOLERANCE
TITLE	WASHERS					SCALE	FIT	$L \leq 4$	± 0.10
PART NAME	G611	MOLD NO.	S0235	DRAW	ZHR	UNIT	MM	$4 < L \leq 15$	± 0.20
PART NO.	SEE TABLE	MATERIAL	SEE NOTES	DESIGN	ZHR	VERSION	A0	$15 < L \leq 50$	± 0.30
DWG NO.	E6005	COLOR	SEE TABLE	APPROVAL	FDL	VIEW		$50 < L \leq 100$	± 0.40