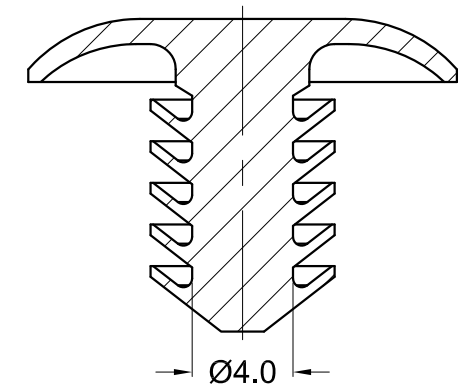
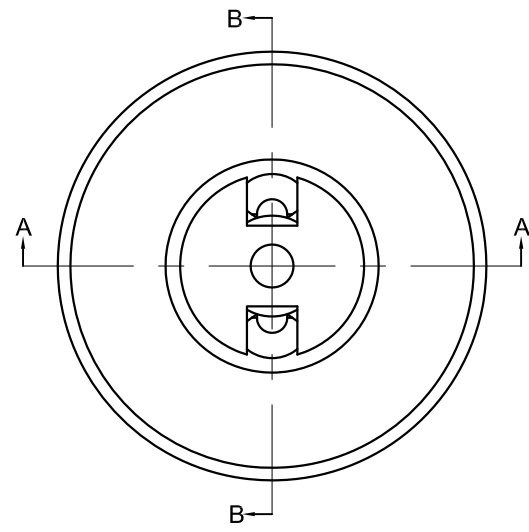


SECTION B-B



SECTION A-A



- Notes:
1. Material: PA66 UL94HB;
 2. Color: Black;
 3. RoHS Compliant;
 4. Hole: Ø6.0±0.08mm;
- Panel Thickness: 0.8-3.9mm.

Gecko International Co.						DATE	2022-8-31	DIMENSION		TOLERANCE	
TITLE	BARBED PUSH FASTENERS					SCALE	FIT	L ≤ 4	±0.10		
ARTICLE NO.	G1533887	MOLD NO.	S0706	DRAW	PLK	UNIT	MM	4 < L ≤ 15	±0.20		
PART NO.	10037	MATERIAL	SEE NOTES	DESIGN	PLK	VERSION	A0	15 < L ≤ 50	±0.30		
DWG NO.	E1052	COLOR	SEE NOTES	APPROVAL	FDL	VIEW		50 < L ≤ 100	±0.40		