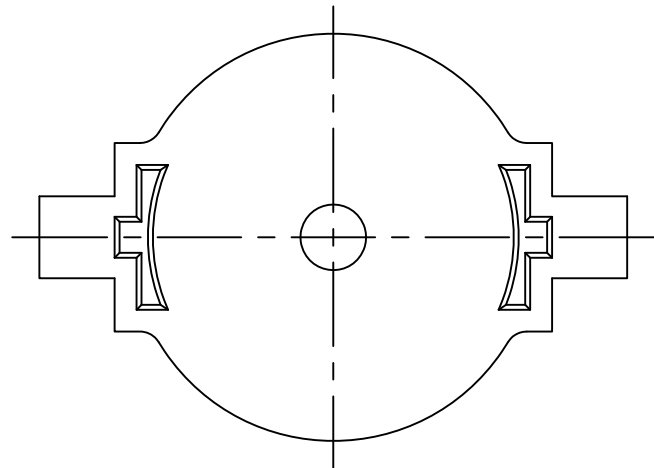
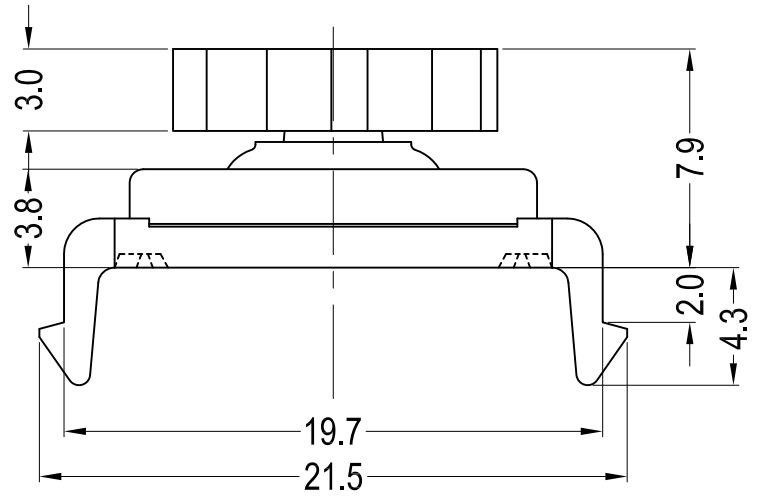
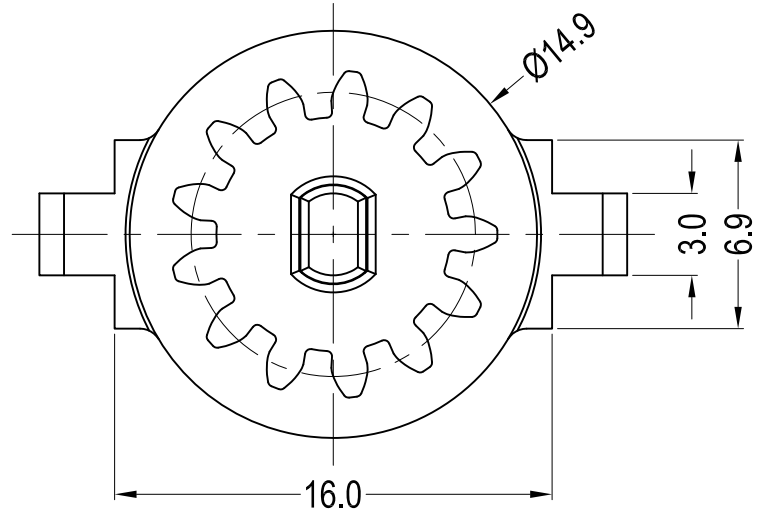


Type	Standard Spur
Teeth Profile	Involute Full Depth
Pressure Angle	20°
Number of Teeth	13
Module	0.8
Durability	30000 cycles

Notes:

1. Material:
(Body and Cap)PC UL94 V2;
(Gear and Shaft)POM UL94 HB;
2. Color:Black;
3. RoHS Compliant;



Part No.	Article No.	Torque (gf.cm)20 RPM&23°C	Identification Paint Mark
30140	DMP-A2-25	25±8	White
30141	DMP-A2-40	40±10	Yellow
30142	DMP-A2-60	60±10	Purple
30143	DMP-A2-80	80±15	Green
30145	DMP-A2-120	120±15	Black
30146	DMP-A2-150	150±15	Red
30364	DMP-A2-180	180±20	Blue

Gecko International Co.

Gecko International Co.							DATE	2021-1-26	DIMENSION	TOLERANCE
TITLE	ROTARY DAMPER					SCALE	FIT	L ≤ 4	±0.10	
ARTICLE NO.	DMP-A2	MOLD NO.	/	DRAW	JF	UNIT	MM	4 < L ≤ 15	±0.20	
PART NO.	SEE TABLE	MATERIAL	SEE NOTES	DESIGN	JF	VERSION	A0	15 < L ≤ 50	±0.30	
DWG NO.	E3042	COLOR	SEE NOTES	APPROVAL	FDL	VIEW		50 < L ≤ 100	±0.40	