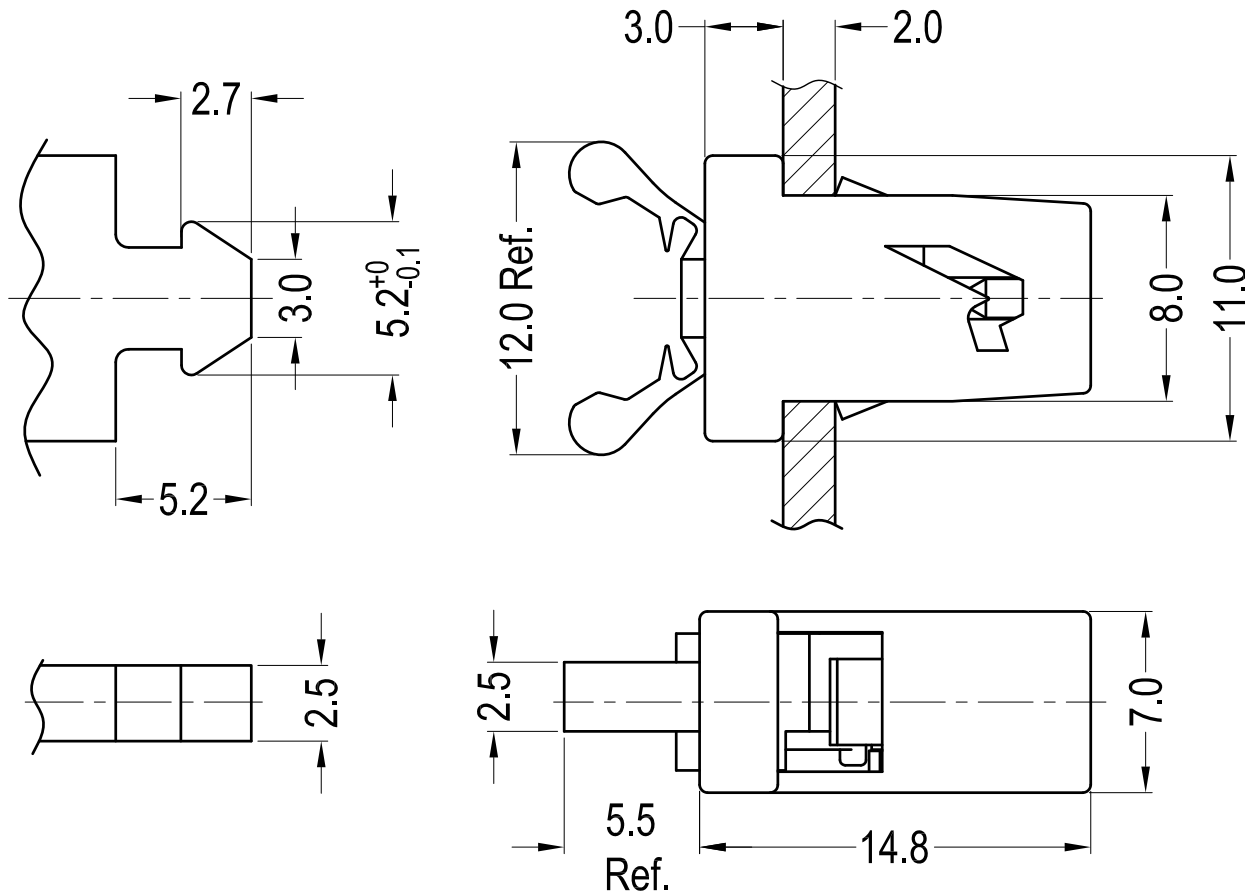


Notes:

1. Material: POM UL94 HB (Case);
PA66 UL94 V2 (Catcher);
PC+GF (Arm);
304 Stainless Steel (Spring);
2. Continuous Working Temperature:
-10°C to 70°C;
3. Storage Temperature: -40°C to 80°C;
4. Hole: $\square 7.0^{+0.2}_{-0} \times \square 8.0^{+0.2}_{-0}$;
Panel Thickness: $2.0^{+0}_{-0.1}$;
5. Life Cycles: 30000 operations;
6. RoHS Compliant;



Body Locking Force: 10N Max.

Body Release Force: 50N Min.

Locking Stroke Force: 5 ± 2 N

Retention Force (Locked): 15N Min.

Locking Stroke: 5.5mm

Release Stroke: 1.3mm

Part No.	Part Name	Color
30178	DL-4-B	Black
30304	DL-4-G	Grey
30180	DL-4-W	White

Gecko International Co.						DATE	2020-6-11	DIMENSION		TOLERANCE	
TITLE	DOOR LATCH					SCALE	FIT	L ≤ 4	±0.10		
PART NAME	DL-4	MOLD NO.	/	DRAW	JF	UNIT	MM	4 < L ≤ 15	±0.20		
PART NO.	SEE TABLE	MATERIAL	SEE NOTES	DESIGN	JF	VERSION	A0	15 < L ≤ 50	±0.30		
DWG NO.	E3078	COLOR	SEE TABLE	APPROVAL	FDL	VIEW		50 < L ≤ 100	±0.40		