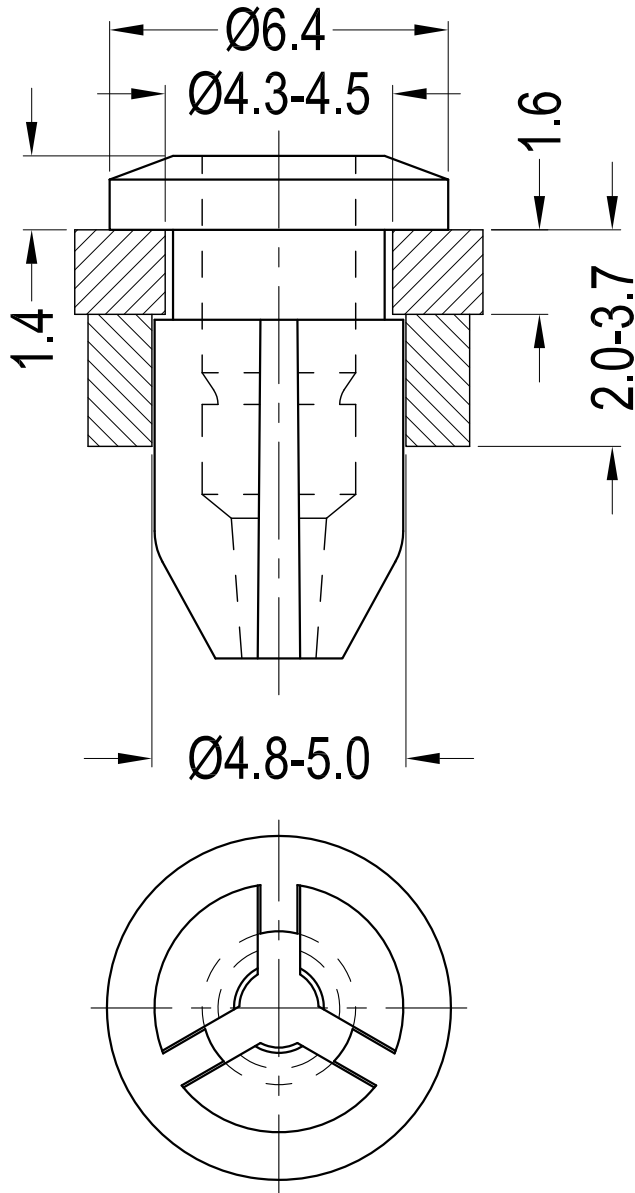
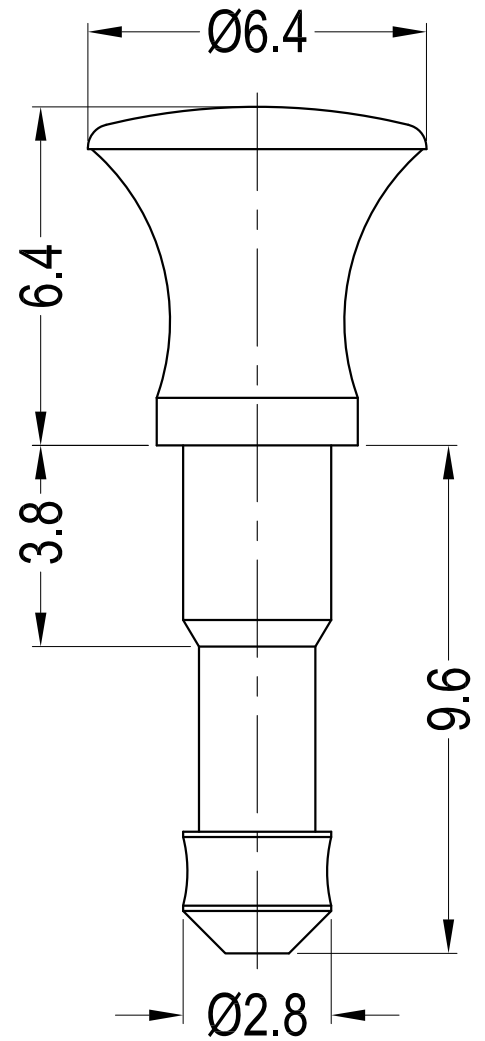


32K4103



32K4102



Notes:

1. Material:
PC UL94 V2(Grommet);
PA6 UL94 V2(Mating Plunger);
2. Color:
Black(Grommet);
Black(Mating Plunger);
3. RoHS Compliant;

Gecko International Co.

Gecko International Co.						DATE	2013-4-17	DIMENSION	TOLERANCE
TITLE	SNAP LATCH					SCALE	FIT	L ≤ 4	±0.10
PART NAME	32K4103&32K4102	MOLD NO.	S0173/4	DRAW	JF	UNIT	MM	4 < L ≤ 15	±0.20
PART NO.	20549+20550	MATERIAL	SEE NOTES	DESIGN	JF	VERSION	A0	15 < L ≤ 50	±0.30
DWG NO.	E2100	COLOR	SEE TABLE	APPROVAL	FDL	VIEW		50 < L ≤ 100	±0.40