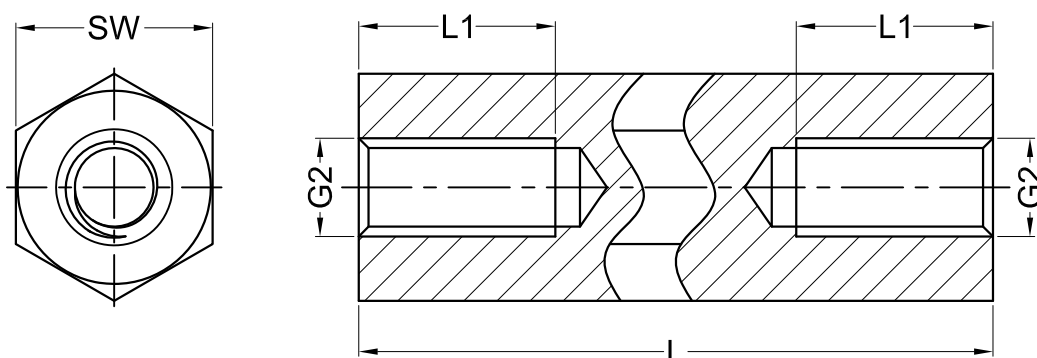


Internal Thread Lengths (L1 In mm)						
L	L1 (M2.5)	L1 (M3)	L1 (M4)	L1 (M5)	L1 (M6)	L1 (M8)
5	5	5	5	/	/	/
8	8	8	8	8	/	/
10	10	10	10	10	10	/
12	12	12	12	12	12	/
15	7	7	15	15	15	15
18	7	7	9	9	9	18
20	7	7	9	10	10	20
25	7	7	9	10	12	12
From 30	7	7	9	10	12	14

Type	Hexagonal
Styles	Internal/Internal
Material	Stainless steel 1.4305
Standard Pack	From 100 pcs
Length Tolerance	± 0.1 mm
Minimum Tensile Strength	750 N/mm <sup>2</sup>



Part No.	SW (Hexagon)	G2 (Thread)	Standard L Length in (mm)																											
			05	08	10	12	15	18	20	25	30	35	40	45	50	55	60	65	70	75	80	85	90	95	100					
142 x L (Length)	SW 5	M2.5	05	08	10	12	15	18	20	25	30	35	40	45	50	55	60													
144 x L	SW 5.5	M3	05	08	10	12	15	18	20	25	30	35	40	45	50	55	60	65	70											
146 x L	SW 7	M4	05	08	10	12	15	18	20	25	30	35	40	45	50	55	60	65	70	75	80	85	90	95	100					
148 x L	SW 8	M5		08	10	12	15	18	20	25	30	35	40	45	50	55	60	65	70	75	80	85	90	95	100					
149 x L	SW 10	M6			10	12	15	18	20	25	30	35	40	45	50	55	60	65	70	75	80	85	90	95	100					
1413 x L	SW 13	M8					15		20	25	30	35	40	45	50		60		70		80		90		100					

Order Example	Additional Information
142 x L = 142 x 10 mm	SW 13 applies for DIN 2768-m

Gecko International Co.						DATE	2012-4-28
TITLE	HEX SPACER - FEMALE / FEMALE					SCALE	FIT
PART NAME	/	MOLD NO.	/	DRAW	JF	UNIT	MM
PART NO.	SEE TABLE	MATERIAL	SEE TABLE	DESIGN	JF	VERSION	A0
DWG NO.	E0010	COLOR	/	APPROVAL	FDL	VIEW	